



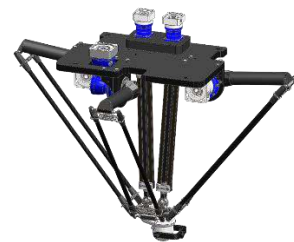
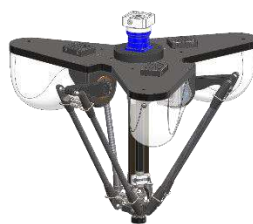
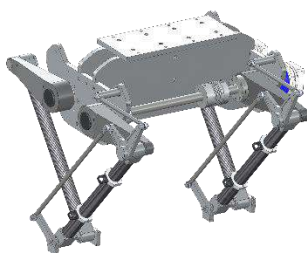
CODIAN
ROBOTICS

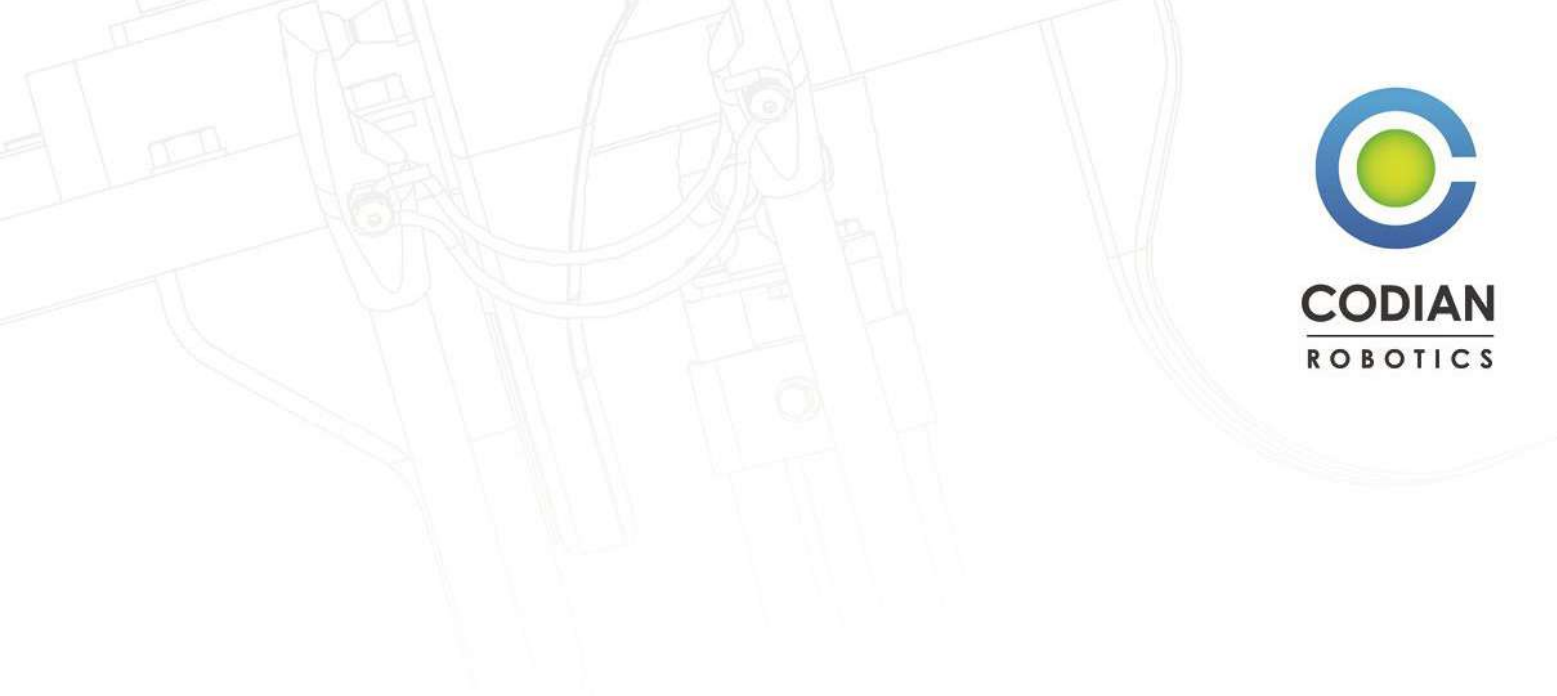
Product Catalog

2019 / 2020 v1.5



The leading innovator
of Pick & Place robots





CODIAN
ROBOTICS



INDEX

Index	3
Codian Robotics Pick & Place Robots	6
D2 Robots	8
D2-500-S020 and D2-800-S020	8
D2-500-S020-R100 and D2-800-S020-R100	9
D2-1000-S030	10
D2-1000-S031W.....	11
D2-1000-S030-DR80	12
D2-1500-S030	13
D2-1500-S030-DR80	14
D2-1000-S060 and D2-1500-S060	15
D2-1000-S060-DR90 and D2-1500-S060-DR90.....	16
D2-1000-TW030 and D2-1500-TW030	17
D2-1000-TW061W and D2-1500-TW061W	18
D4 Robots	19
D4-500-Demo010	19
D4-500-Demo010-R109	20
D4-500-S010	21
D4-500-S010-R109.....	22
D4-650-S020 and D4-800-S020	23
D4-650-S020-R100 and D4-800-S020-R100	24
D4-1100-S020 and D4-1300-S020	25
D4-1100-S020-R100 and D4-1300-S020-R100	26
D4-1600-S020	27
D4-1600-S020-R100.....	28
D4-1100-S040	29
D4-1100-S040-R200.....	30
D4-1100-S040L.....	31
D4-1100-S040L-R200	32
D4-1300-S040 and D4-1600-S040	33
D4-1300-S040-R200 and D4-1600-S040-R200	34
D4-1300-S040L and D4-1600-S040L	35
D4-1300-S040L-R200 and D4-1600-S040L-R200	36



D4-1300-S050 and D4-1600-S050	37
D4-1300-S050-R750 and D4-1600-S050-R750	38
D4-2100-S050	39
D4-2100-S050-R750	40
D5 Robots	41
D5-650-S020-R100 and D5-800-S020-R100	41
D5-1100-S020-R100 and D5-1300-S020-R100	42
D5-1300-S050-R750 and D5-1600-S050-R750	43
D5-1300-S040G-R300 and D5-1600-S040G-R300	44
D5-1300-S050G-R750 and D5-1600-S050G-R750	45
TD4 Robots.....	46
TD4-500-S010	46
TD4-500-S010-R109	47
TD4-650-S020	48
TD4-650-S020-R100	49
TD4-800-S020	50
TD4-800-S020-R100	51
TD4-1100-S020.....	52
TD4-1100-S020-R100	53
TD4-1300-S020.....	54
TD4-1300-S020-R100	55
TD4-1300-S040.....	56
TD4-1300-S040-R200	57
TD4-1600-S040.....	58
TD4-1600-S040-R200	59
TD5 Robots.....	60
TD5-650-S020-R100	60
TD5-800-S020-R100	61
TD5-1100-S020-R100	62
TD5-1300-S020-R100	63
Hygienic Design Robots	64
D4-650-HD021 and D4-800-HD021	64
D4-650-HD021-RH090 and D4-800-HD021-RH090	65
D4-1100-HD021 and D4-1300-HD021	66
D4-1100-HD021-RH090 and D4-1300-HD021-RH090	67
D4-1100-HD041 and D4-1300-HD041	68



CODIAN
ROBOTICS

D4-1100-HD041-RH200 and D4-1300-HD041-RH200	69
D4-1600-HD041	70
D4-1600-HD041-RH200	71
Hygienic Design Robots Open Structure.....	72
D2-500-OS070 and D2-800-OS070.....	72
D2-500-OS070-RH095 and D2-800-OS070-RH095	73
D4-650-OS070 and D4-800-OS070.....	74
D4-650-OS070-RH095 and D4-800-OS070-RH095	75
D4-1100-OS070 and D4-1300-OS070	76
D4-1100-OS070-RH095 and D4-1300-OS070-RH095	77
Rotation axes.....	78
R100.....	78
R200.....	78
R300.....	79
R750.....	79
Rotation axes Hygienic Design	80
RH090.....	80
RH200.....	80
Accessories.....	81
Calibration tool.....	81
Cable Management	81
Vacuum solutions	81
Disclaimer	83



CODIAN
ROBOTICS

CODIAN ROBOTICS PICK & PLACE ROBOTS

- Industrial Pick & Place Robots;
- Mechanics without control system, use the line control of your machine;
- Low cost of ownership;
- Best solution possible.

Codian Robotics is manufacturer of Pick & Place robots and specialized in Delta shaped robots. Our goal is to provide you with the best possible solution for your application. We do this by having the largest program of Delta robots, made out of high quality materials. Our continuous innovations offers you the assurance that you always have the advantage of the latest knowledge, used in your robot.

We distinguish ourselves by the fact that our robots come without motors and control system. You can use the control system of your machine to run the robot. Depending on your choice of control system, we can help you to define the servo motors needed.

Our robots are well known for their high performance, the Hygienic Design IP69K and high payload solutions. The best proof of our high quality is the fact that other industrial robot manufacturers do offer our robots as a part of their portfolio.

Besides our extended program we offer you our standardized customization. This means that you can make your choice of the robot type, the working area, the model, the construction and gearboxes. You can pick your options and find the rotation axis of your choice. So the standardized customization offers you the maximum freedom to define the best possible solution for your application.

We are at your service to help you with this, please contact us by email at sales@codian-robotics.com and let us help you. We will advise you about the robot and can calculate the possible number of picks. Please see us as your Knowledge Center for Pick & Place robots, we are happy to help you.

Due to the continuous innovation, high quality and perfect sized robot, your total cost of owner ship of a Codian Robotics robot is very low, compared to other robots. Hardly any maintenance is needed and this you can do yourself easily.

And when you know what robot is most suitable for you, we can deliver it fast. Contact us for the delivery time of your robot!

To choose your robot, check our website www.codian-robotics.com/robots.

Codian Robotics BV
Keplerlaan 24
NL – 6716 BS Ede
Tel: +3185 0643 210

Codian Robotics of the Americas
11865 Easton Road
USA – Rives Junction, MI 49277
Tel: +1517 240 1329

Please mail your request and purchase orders to sales@codian-robotics.com.



			Name Robot: D4 - 1300 - S 040 L - R200					
<u>Robot type</u>								
D2								
D4								
D5								
TD4								
TD5								
<u>Working area</u>			<u>Base model</u>					
500			S: Standard model					
650			SB: Small Baseplate					
800			TW: TWIN					
1000			HD: Hygienic Design					
1100			OS: Open Structure Hygienic Design (D2-500/800&D4-650/1300)					
1300			DUO: Hygienic Design D2 double					
1500			Demo: Demonstration robot					
1600								
2100								
<u>Gearbox</u>			<u>Model options</u> (Multiple options can be used)					
Describes the type of gearbox			: No options					
01x 004 (D4-500)			L: Low baseplate					
0: 004.25.S 40Nm ratio 1:25			LW: Lower Washdown with standard top					
1: 004.31.S 30Nm ratio 1:31			G: Gripper control					
2: 064.31.W 50Nm ratio 1:31			T: Tilt function (for D2)					
9: no gearbox			W: Washdown materials used (D2-1000/1500&TW)					
02x 010 (D2-500/800 & D4-650/1600)			<u>Rotation axis and rotation gearbox</u>					
0: 010.31.S 70Nm ratio 1:31			R10x Rotation axis 7Nm Square tube (D2-500/800&D4-500/1300)					
1: 010.31.W 70Nm ratio 1:31			0: 060.10.S 17Nm ratio 1:10					
2: 010.27,5.H 150Nm ratio 1:27,5			1: 060.08.S 17Nm ratio 1:08					
3: 010.27,5.W 150Nm ratio 1:27,5			2: 060.10.K 17Nm ratio 1:10					
4: 010.38,5.H 180Nm ratio 1:38,5			9: No Gearbox 00Nm ratio 1:00					
5: 010.38,5.W 180Nm ratio 1:38,5			R20x Rotation axis 19Nm Square tube (D4-650/1600)					
6: 010.28.S 180Nm ratio 1:28			0: 060.10.S 17Nm ratio 1:10					
7: 010.35.K 50Nm ratio 1:35			1: 075.20.S 75Nm ratio 1:20					
03x 140 (D2-1000/1500)			R30x Rotation axis 24Nm Spline axis (D4-1100/1600)					
0: 140.35.S 360Nm ratio 1:35			0: 075.20.S 75Nm ratio 1:20					
1: 140.35.W 360Nm ratio 1:35			R75x Rotation axis 65Nm Spline axis (D4-1100/1600)					
2: 140.35.K 190Nm ratio 1:35			0: 075.20.S 75Nm ratio 1:20					
04x 025 (D4-1100/1600)			RH09x Hygienic Design Rotation titanium tubes 7Nm (D2-500/800&D4-500/1300)					
0: 025.38,5.H 375Nm ratio 1:38,5			0: 060.10.S 17Nm ratio 1:10					
1: 025.38,5.W 375Nm ratio 1:38,5			5: 015.10.OS 15Nm ratio 1:10					
05x 050 (D4-1100/1600)			RH20x Hygienic Design Rotation 19Nm (D4-650/1600)					
0: 050.38,5.H 650Nm ratio 1:38,5			0: 060.10.S 17Nm ratio 1:10					
1: 050.38,5.W 650Nm ratio 1:38,5			5: 015.10.OS 15Nm ratio 1:10					
06x 110 (D2-1000/1500)			DRxx Direct drive rotation (D2-1000/1500)					
0: 110.50.S 1050Nm ratio 1:50			80: 004.25.S 40Nm ratio 1:25 ,5					
1: 110.50.W 1050Nm ratio 1:50			90: 025.38,5.H 375Nm ratio 1:38 ,5					
2: 200.50.W 1200Nm ratio 1:50			81: 004.25.W 40Nm ratio 1:25					
07x 010 OS (D2-500/800&D4-650/1300)			91: 025.38,5.W 375Nm ratio 1:38					
0: 010.27,5.OS 120Nm ratio 1:27,5								
1: 010.38,5.OS 145Nm ratio 1:38,5								
			Txxx Tilt axis					



CODIAN
ROBOTICS

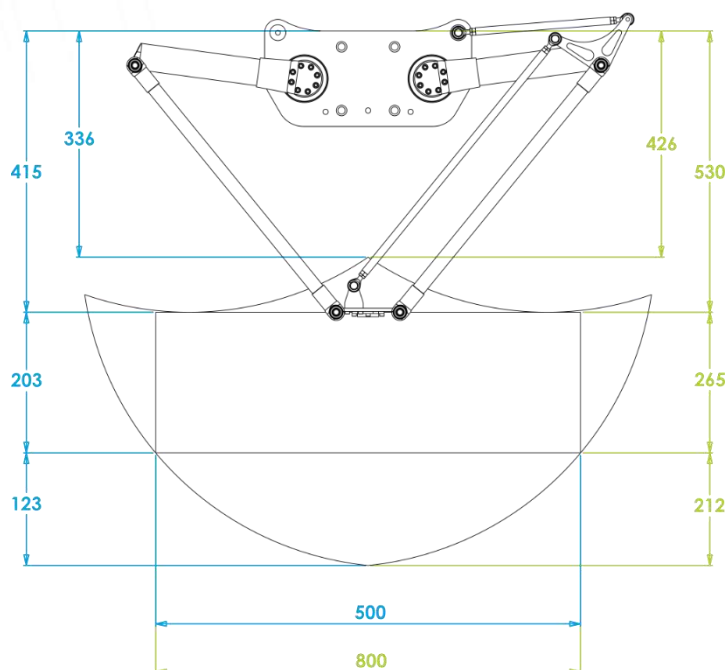
D2 ROBOTS

D2-500-S020 and D2-800-S020



415 = D2-500-S020

530 = D2-800-S020



Performance

Working range	500 x 326 mm
	800 x 477 mm
Noise level:	<68 dB (A)
Payload:	5 kg
Pick & place actions:	up to 210 p/min
Position repeatability:	+/- 0.1 mm

Options

W	Washdown IP65 (Stainless steel)
OS	Open structure Hygienic Design IP69X
DUO	Hygienic Design D2 double robot IP69K
LW	Lower washdown IP65
G	Gripper control

Rotation

No rotation

Accessory

- Calibration tool
- Vacuum head, incl. + excl. TCP
- Vacuum pipe secondary arms
- 2-way Rotary transit 8 Bar/ vacuum 0.7
- Vacuum hoses
- Vacuum pipe clamps
- Cable routing



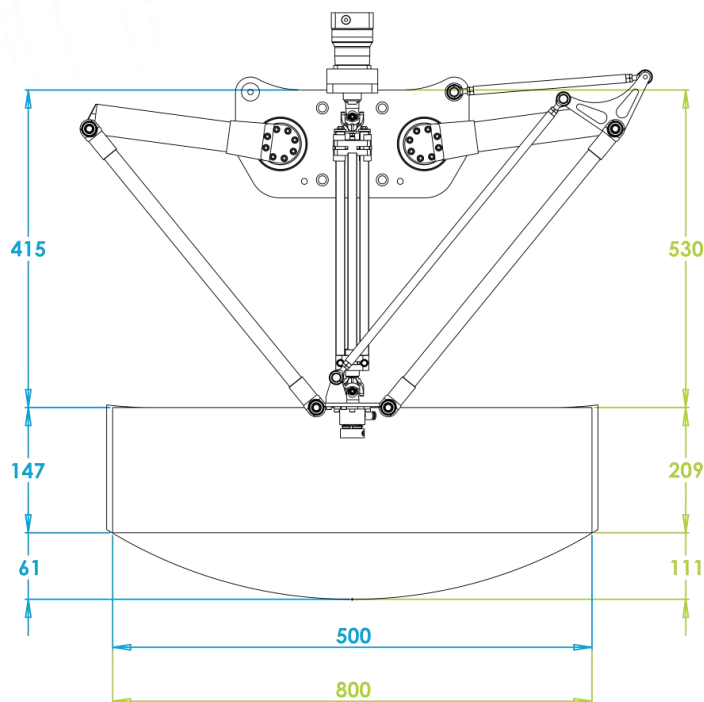
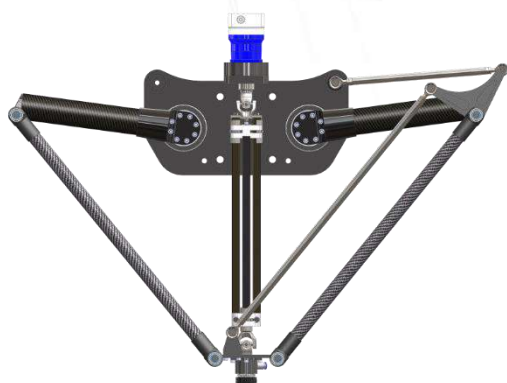
CODIAN
ROBOTICS

D2 ROBOTS

D2-500-S020-R100 and D2-800-S020-R100

415 = D2-500-S020-R100

530 = D2-800-S020-R100



Performance

Working range	500 x 208 mm
	800 x 320 mm
Noise level:	<68 dB (A)
Payload:	5 kg
Pick & place actions:	up to 210 p/min
Position repeatability:	+/- 0.1 mm

Options

W	Washdown IP65 (Stainless steel)
OS	Open structure Hygienic Design IP69X
DUO	Hygienic Design D2 double robot IP69K
LW	Lower washdown IP65
G	Gripper control

Rotation

R100 (standard)	7Nm
RH090	7Nm washdown
RH095	7Nm IP69K
T100	Tilt axis

Accessory

- Calibration tool
- Vacuum head, incl. + excl. TCP
- Vacuum pipe secondary arms
- 2-way Rotary transit 8 Bar/ vacuum 0.7
- Vacuum hoses
- Vacuum pipe clamps
- Cable routing



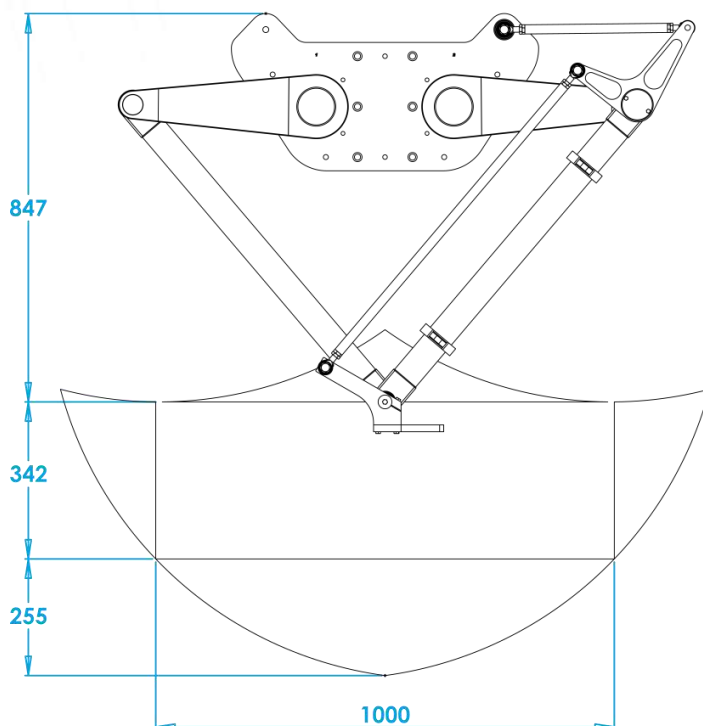
CODIAN
ROBOTICS

D2 ROBOTS

D2-1000-S030



D2-1000-S030



Performance

Working range	1000 x 597 mm
Noise level:	<68 dB (A)
Payload:	35 kg
Pick & place actions:	up to 50 p/min
Position repeatability:	+/- 0.1 mm

Options

W	Washdown IP65
LW	Lower washdown IP65

Rotation

No rotation

Accessory

- Calibration tool
- Cable routing
- Vacuum hoses



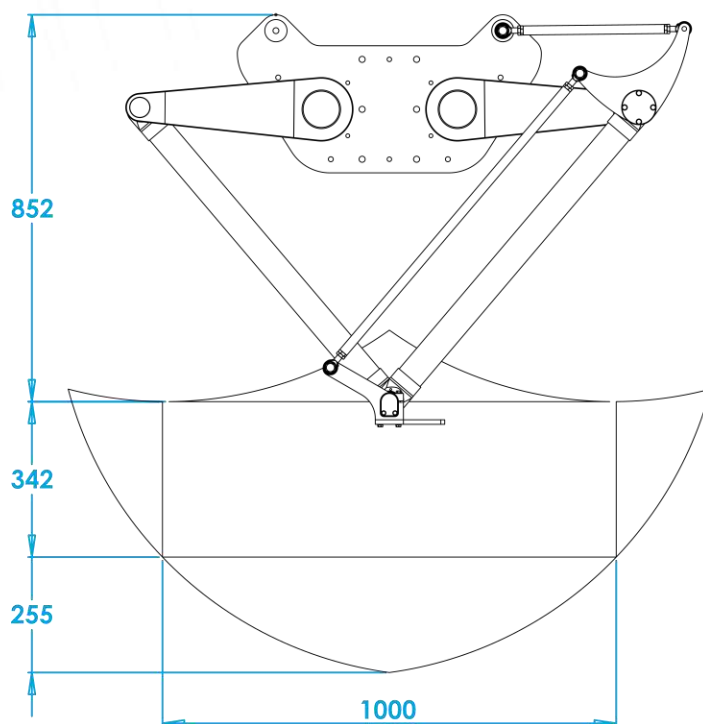
CODIAN
ROBOTICS

D2 ROBOTS

D2-1000-S031W



D2-1000-S031W



Performance

Working range	1000 x 597 mm
	IP65 Stainless steel
Noise level:	<68 dB (A)
Payload:	35 kg
Pick & place actions:	up to 50 p/min
Position repeatability:	+/- 0.1 mm

Options

None

Rotation

No rotation

Accessory

- Calibration tool
- Cable routing
- Vacuum hoses



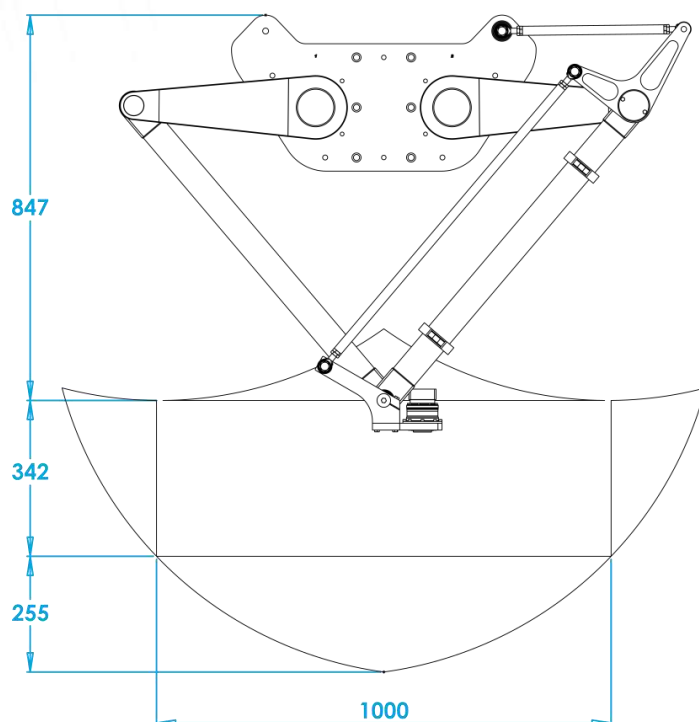
CODIAN
ROBOTICS

D2 ROBOTS

D2-1000-S030-DR80



D2-1000-S030-DR80



Performance

Working range	1000 x 597 mm
Noise level:	<68 dB (A)
Payload:	35 kg
Pick & place actions:	up to 50 p/min
Position repeatability:	+/- 0.1 mm

Options

W	Washdown IP65
LW	Lower washdown IP65

Rotation

DR80 (standard)	40Nm
DR81	40Nm washdown
DR90	375Nm
DR91	375Nm washdown

Accessory

- Calibration tool
- Cable routing
- Vacuum hoses



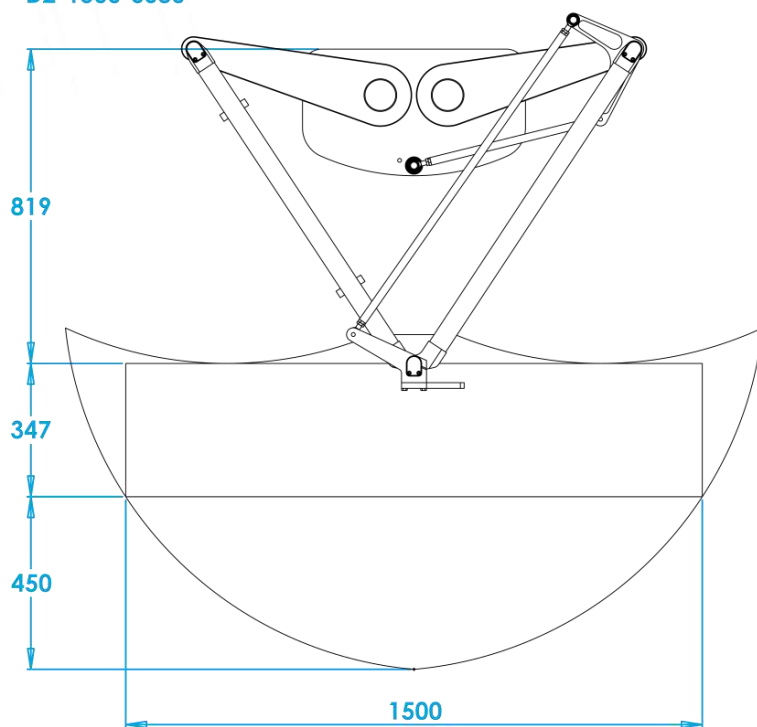
CODIAN
ROBOTICS

D2 ROBOTS

D2-1500-S030



D2-1500-S030



Performance

Working range	1500 x 797 mm
Noise level:	<68 dB (A)
Payload:	35 kg
Pick & place actions:	up to 45 p/min
Position repeatability:	+/- 0.1 mm

Options

W	Washdown IP65
G	Gripper control
LW	Lower washdown IP65

Rotation

No rotation

Accessory

- Calibration tool
- Cable routing
- Vacuum hoses



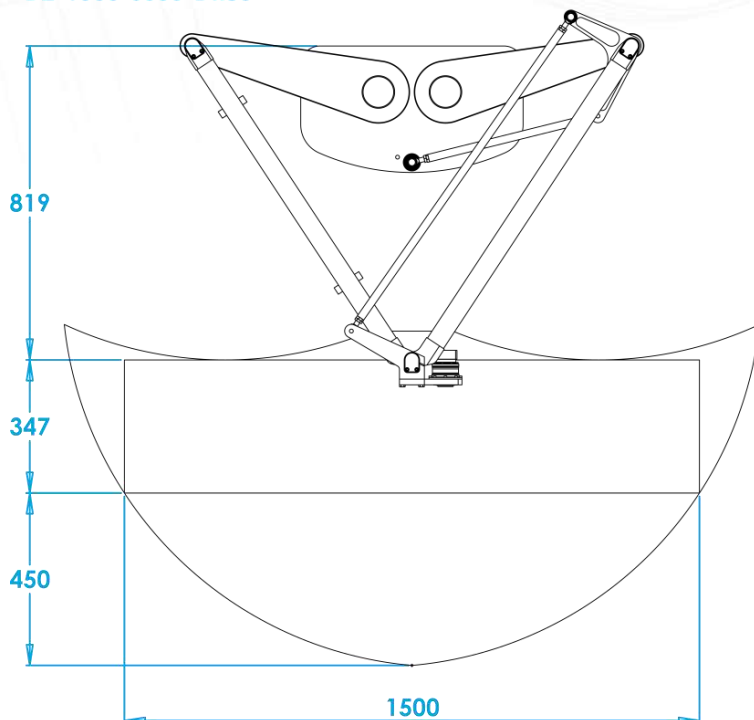
CODIAN
ROBOTICS

D2 ROBOTS

D2-1500-S030-DR80



D2-1500-S030-DR80



Performance

Working range	1500 x 797 mm
Noise level:	<68 dB (A)
Payload:	35 kg
Pick & place actions:	up to 45 p/min
Position repeatability:	+/- 0.1 mm

Options

W	Washdown IP65
G	Gripper control
LW	Lower washdown IP65

Rotation

DR80 (standard)	40Nm
DR81	40Nm washdown
DR90	375Nm
DR91	375Nm washdown

Accessory

- Calibration tool
- Cable routing
- Vacuum hoses



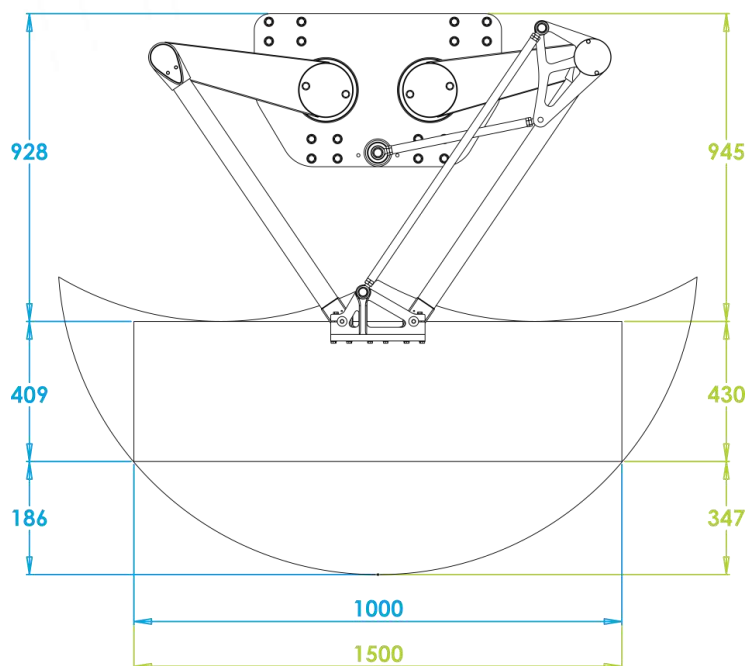
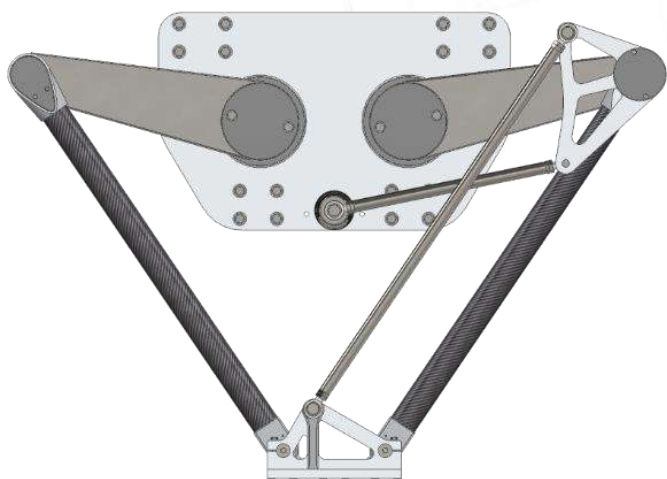
CODIAN
ROBOTICS

D2 ROBOTS

D2-1000-S060 and D2-1500-S060

928 = D2-1000-S060

945 = D2-1500-S060



Performance

Working range	1000 x 595 mm
	1500 x 777 mm
Noise level:	<68 dB (A)
Payload:	125 kg
Pick & place actions:	up to 45 p/min
Position repeatability:	+/- 0.1 mm

Options

W	Washdown IP65
G	Gripper control
LW	Lower washdown IP65

Rotation

No rotation

Accessory

- Calibration tool
- Cable routing
- Vacuum hoses



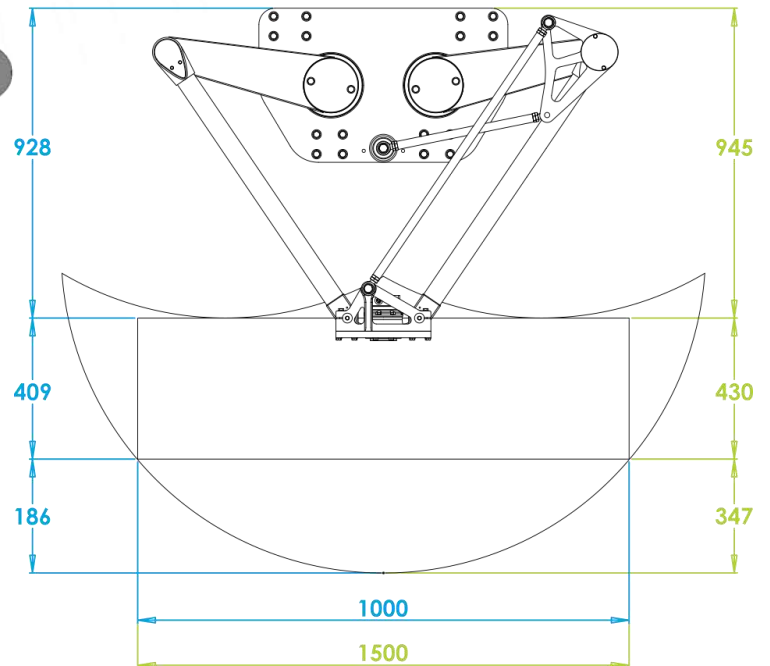
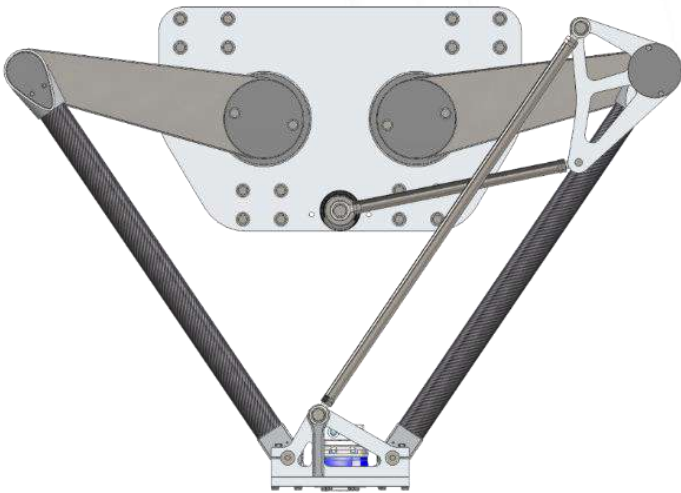
CODIAN
ROBOTICS

D2 ROBOTS

D2-1000-S060-DR90 and D2-1500-S060-DR90

928 = D2-1000-S060-DR90

945 = D2-1500-S060-DR90



Performance

Working range	1000 x 595 mm
	1500 x 777 mm
Noise level:	<68 dB (A)
Payload:	125 kg
Pick & place actions:	up to 45 p/min
Position repeatability:	+/- 0.1 mm

Options

W	Washdown IP65
G	Gripper control
LW	Lower washdown IP65

Rotation

DR90 (standard)	375Nm
DR91	375Nm washdown

Accessory

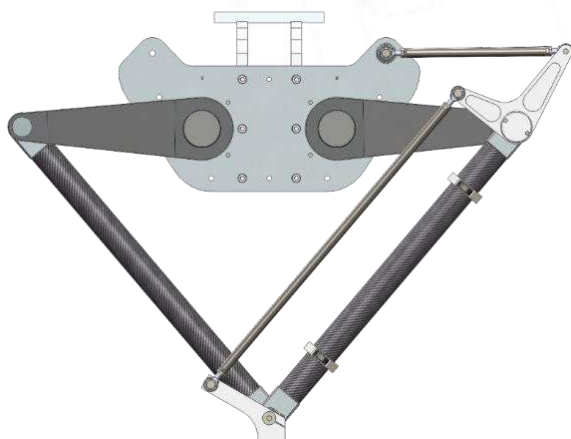
- Calibration tool
- Cable routing
- Vacuum hoses



CODIAN
ROBOTICS

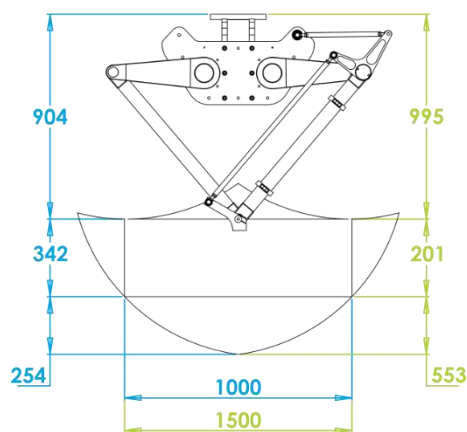
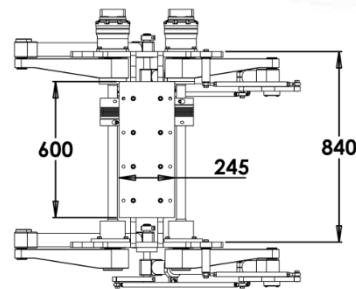
D2 ROBOTS

D2-1000-TW030 and D2-1500-TW030



904 = D2-1000-TW030

995 = D2-1500-TW030



Performance

Working range	1000 x 596 mm
	1500 x 754 mm
Noise level:	<68 dB (A)
Payload:	40 kg
Pick & place actions:	up to 40 p/min
Position repeatability:	+/- 0.1 mm

Options

W	Washdown IP65
LW	Lower washdown IP65

Rotation

No rotation

Accessory

- Calibration tool
- Cable routing
- Vacuum hoses



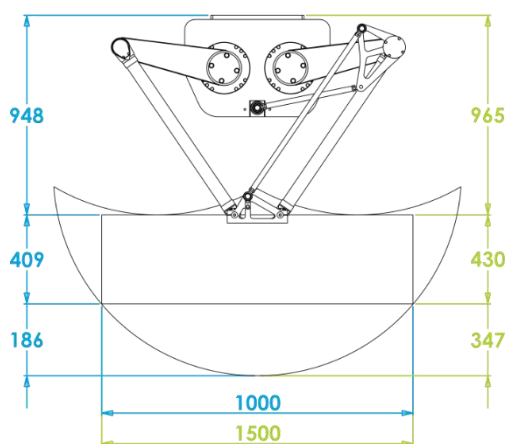
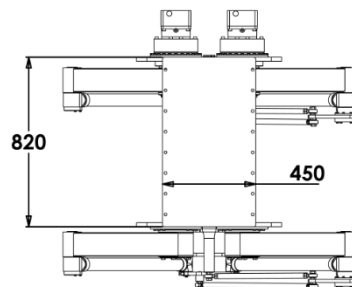
CODIAN
ROBOTICS

D2 ROBOTS

D2-1000-TW061W and D2-1500-TW061W

948 = D2-1000-TW061W

965 = D2-1500-TW061W



Performance

Working range	1000 x 595 mm
IP65 Stainless steel	1500 x 777 mm
Noise level:	<68 dB (A)
Payload:	125 kg
Pick & place actions:	up to 45 p/min
Position repeatability:	+/- 0.1 mm

Options

No options

Rotation

No rotation

Accessory

- Calibration tool
- Cable routing
- Vacuum hoses



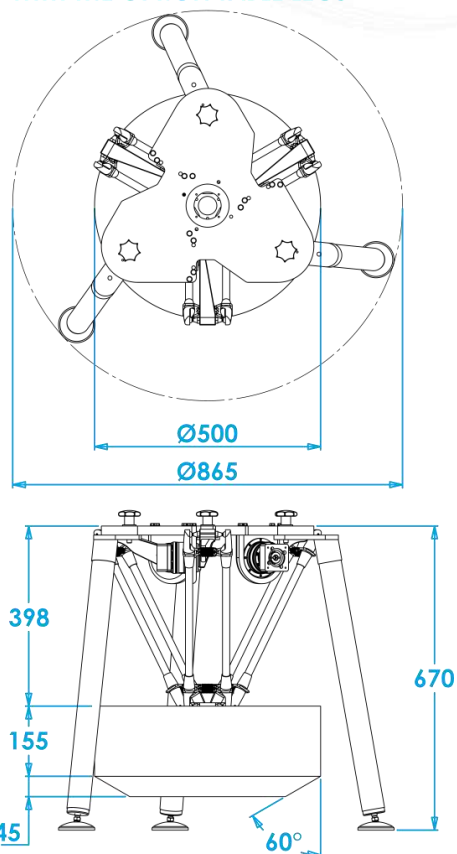
CODIAN
ROBOTICS

D4 ROBOTS

D4-500-Demo010 with the option table legs



D4-500-Demo010
WITH THE OPTION TABLE LEGS



Performance

Working range	Ø 500 x 200 mm
Noise level:	<68 dB (A)
Payload:	2 kg
Pick & place actions:	up to 200 p/min
Position repeatability:	+/- 0.1 mm

Options

Set table legs

Rotation axis

No rotation

Accessory

- Calibration tool
- Vacuum hoses



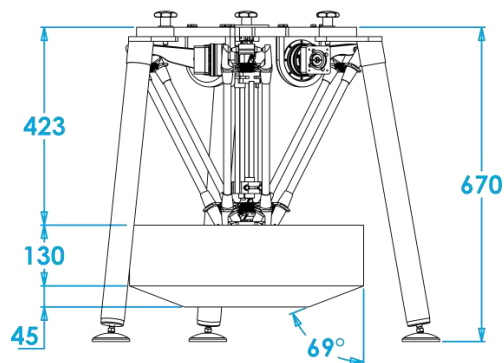
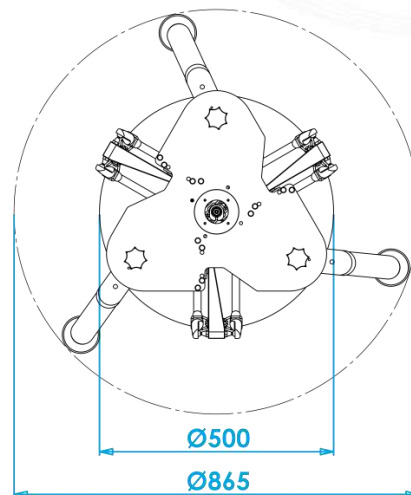
CODIAN
ROBOTICS

D4 Robots

D4-500-Demo010-R109 with the option table legs



**D4-500-Demo010-R109
WITH THE OPTION TABLE LEGS**



Performance

Working range	Ø 500 x 175 mm
Noise level:	<68 dB (A)
Payload:	2 kg
Pick & place actions:	up to 200 p/min
Position repeatability:	+/- 0.1 mm

Options

Set table legs

Rotation axis

R109 (standard)	7Nm no gear
R100	7Nm

Accessory

- Calibration tool
- Vacuum hoses



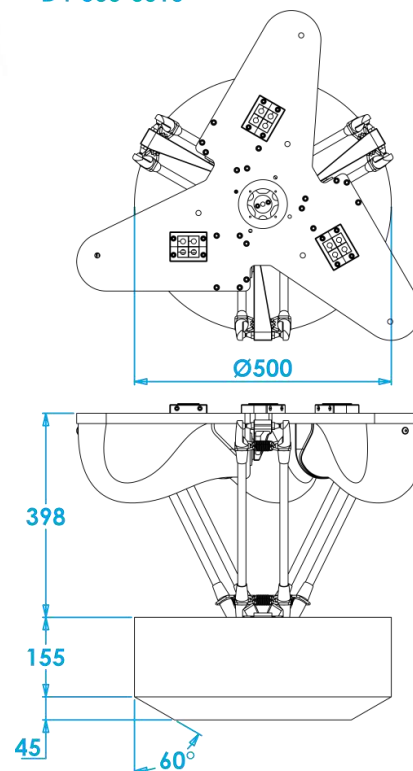
CODIAN
ROBOTICS

D4 ROBOTS

D4-500-S010



D4-500-S010



Performance

Working range	Ø 500 x 200 mm
Noise level:	<68 dB (A)
Payload:	2 kg
Pick & place actions:	up to 200 p/min
Position repeatability:	+/- 0.1 mm

Options

Demo	Demonstration robot
LW	Lower washdown IP65

Rotation axis

No rotation

Accessory

- Calibration tool
- Vacuum hoses



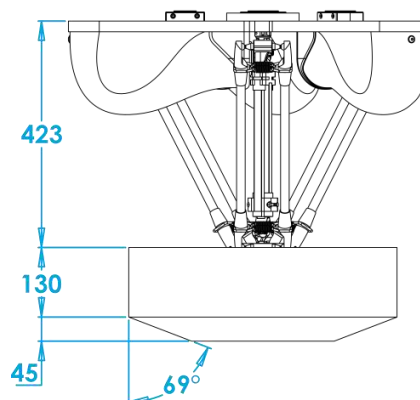
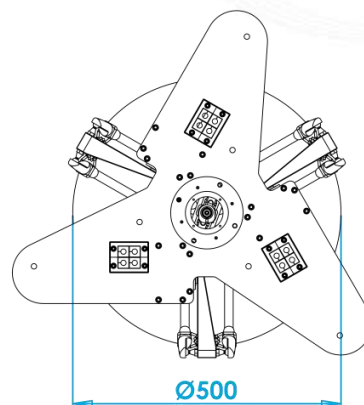
CODIAN
ROBOTICS

D4 ROBOTS

D4-500-S010-R109



D4-500-S010-R109



Performance

Working range	500 x 175 mm
Noise level:	<68 dB (A)
Payload:	2 kg
Pick & place actions:	up to 200 p/min
Position repeatability:	+/- 0.1 mm

Options

Demo	Demonstration robot
LW	Lower washdown IP65

Rotation axis

R109 (standard)	7Nm no gear
R100	7Nm
RH090	7Nm washdown

Accessory

- Calibration tool
- Vacuum hoses
- Cable routing



CODIAN
ROBOTICS

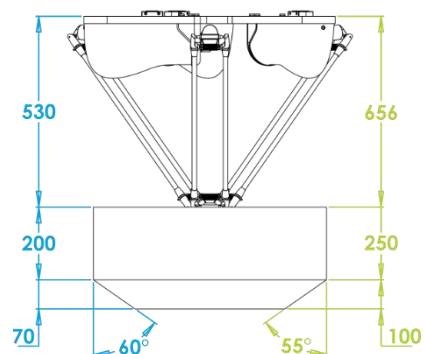
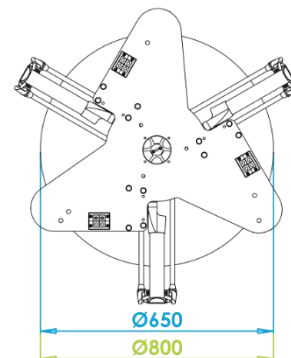
D4 ROBOTS

D4-650-S020 and D4-800-S020



530 = D4-650-S020

656 = D4-800-S020



Performance

Working range	Ø 650 x 270 mm Ø 800 x 350 mm
Noise level:	<68 dB (A)
Payload:	3 kg
Pick & place actions:	up to 200 p/min
Position repeatability:	+/- 0.1 mm

Options

LW	Lower washdown IP65
----	---------------------

Rotation axis

No rotation

Accessory

- Calibration tool
- Vacuum head
- Vacuum pipe secondary arms
- 2-way Rotary transit 8 Bar/vacuum 0.7
- Vacuum hoses
- Vacuum pipe clamps
- Cable routing



CODIAN
ROBOTICS

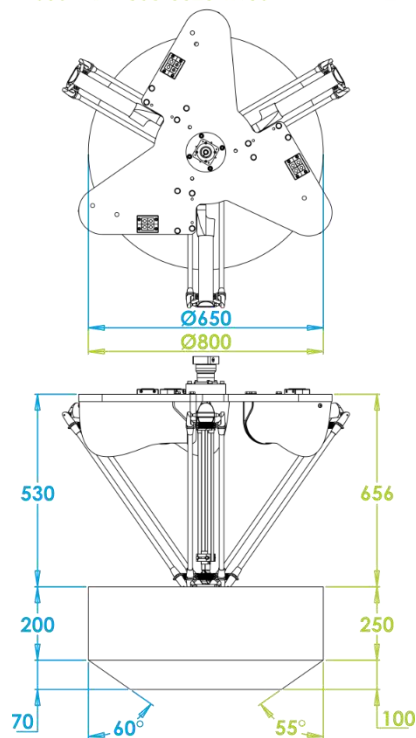
D4 ROBOTS

D4-650-S020-R100 and D4-800-S020-R100



530 = D4-650-S020-R100

656 = D4-800-S020-R100



Performance

Working range	Ø 650 x 270 mm Ø 800 x 350 mm
Noise level:	<68 dB (A)
Payload:	3 kg
Pick & place actions:	up to 200 p/min
Position repeatability:	+/- 0.1 mm

Options

LW	Lower washdown IP65
----	---------------------

Rotation axis

R100 (standard)	7Nm
R200	19Nm
RH090	7Nm washdown
T100	Tilt axis

Accessory

- Calibration tool
- Vacuum head
- Vacuum pipe secondary arms
- 2-way Rotary transit 8 Bar/vacuum 0.7
- Vacuum hoses
- Vacuum pipe clamps
- Cable routing



CODIAN
ROBOTICS

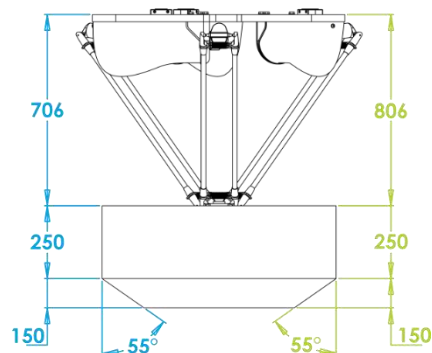
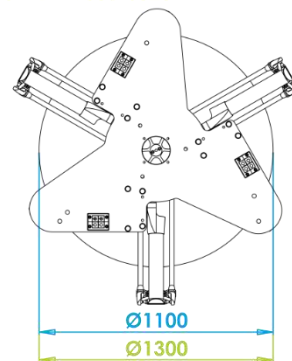
D4 ROBOTS

D4-1100-S020 and D4-1300-S020



706 = D4-1100-S020

806 = D4-1300-S020



Performance

Working range	Ø 1100 x 400 mm Ø 1300 x 400 mm
Noise level:	<68 dB (A)
Payload:	3 kg
Pick & place actions:	up to 180 p/min
Position repeatability:	+/- 0.1 mm

Options

LW	Lower washdown IP65
----	---------------------

Rotation axis

No rotation

Accessory

- Calibration tool
- Vacuum head
- Vacuum pipe secondary arms
- 2-way Rotary transit 8 Bar/vacuum 0.7
- Vacuum hoses
- Vacuum pipe clamps
- Cable routing



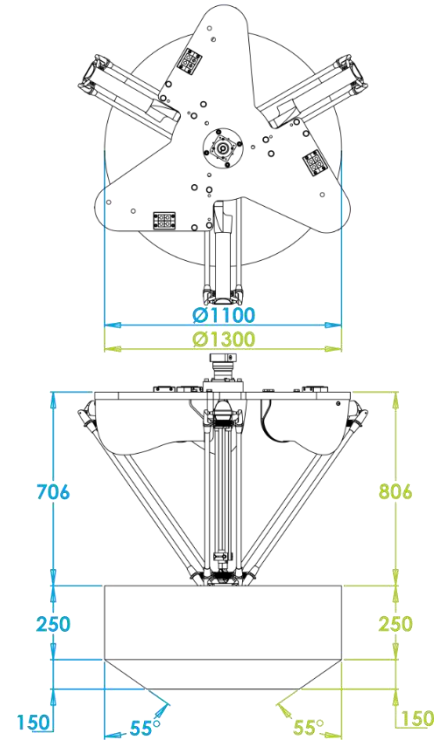
CODIAN
ROBOTICS

D4 ROBOTS

D4-1100-S020-R100 and D4-1300-S020-R100



706 = D4-1100-S020-R100
806 = D4-1300-S020-R100



Performance

Working range	Ø 1100 x 400 mm Ø 1300 x 400 mm
Noise level:	<68 dB (A)
Payload:	3 kg
Pick & place actions:	up to 180 p/min
Position repeatability:	+/- 0.1 mm

Options

LW	Lower washdown IP65
----	---------------------

Rotation axis

R100 (standard)	7Nm
RH090	7Nm washdown
R200	19Nm
T100	Tilt axis

Accessory

- Calibration tool
- Vacuum head
- Vacuum pipe secondary arms
- 2-way Rotary transit 8 Bar/vacuum 0.7
- Vacuum hoses
- Vacuum pipe clamps
- Cable routing



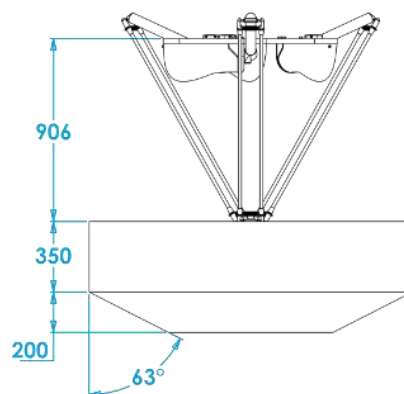
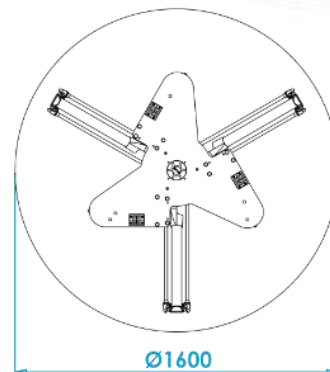
CODIAN
ROBOTICS

D4 ROBOTS

D4-1600-S020



D4-1600-S020



Performance

Working range	Ø 1600 x 550 mm
Noise level:	<68 dB (A)
Payload:	2.5 kg
Pick & place actions:	up to 150 p/min
Position repeatability:	+/- 0.1 mm

Options

LW	Lower washdown IP65
----	---------------------

Rotation axis

No rotation

Accessory

- Calibration tool
- Vacuum head
- Vacuum pipe secondary arms
- 2-way Rotary transit 8 Bar/vacuum 0.7
- Vacuum hoses
- Vacuum pipe clamps
- Cable routing



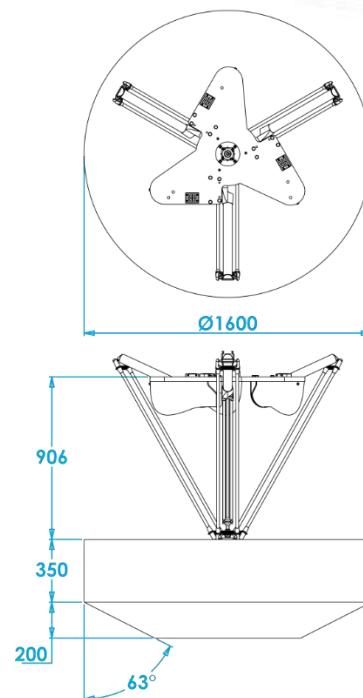
CODIAN
ROBOTICS

D4 ROBOTS

D4-1600-S020-R100



D4-1600-S020-R100



Performance

Working range	Ø 1600 x 550 mm
Noise level:	<68 dB (A)
Payload:	2.5 kg
Pick & place actions:	up to 150 p/min
Position repeatability:	+/- 0.1 mm

Options

LW	Lower washdown IP65
----	---------------------

Rotation axis

R100 (standard)	7Nm
RH090	7Nm washdown
R200	19Nm
T100	Tilt axis

Accessory

- Calibration tool
- Vacuum head
- Vacuum pipe secondary arms
- 2-way Rotary transit 8 Bar/vacuum 0.7
- Vacuum hoses
- Vacuum pipe clamps
- Cable routing



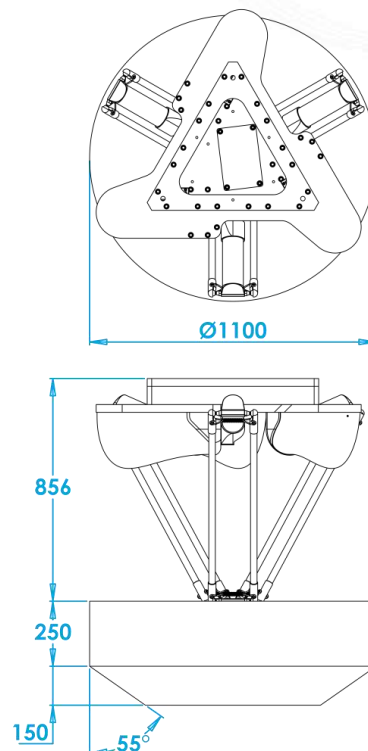
CODIAN
ROBOTICS

D4 ROBOTS

D4-1100-S040



D4-1100-S040



Performance

Working range	Ø 1100 x 400 mm
Noise level:	<68 dB (A)
Payload:	20 kg
Pick & place actions:	up to 110 p/min
Position repeatability:	+/- 0.1 mm

Options

LW	Lower washdown IP65
L	Low baseplate

Rotation axis

No rotation

Accessory

- Calibration tool
- Vacuum head
- Vacuum pipe secondary arms
- 2-way Rotary transit 8 Bar/vacuum 0.7
- Vacuum hoses
- Vacuum pipe clamps
- Cable routing



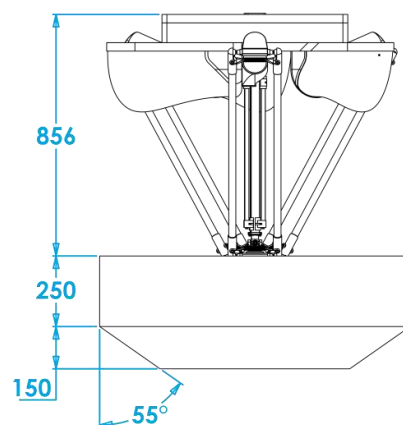
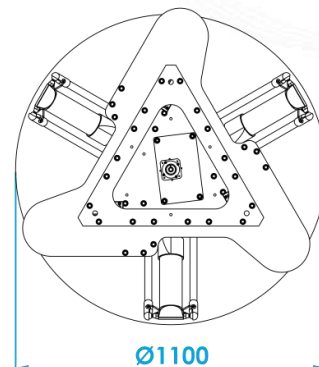
CODIAN
ROBOTICS

D4 ROBOTS

D4-1100-S040-R200



D4-1100-S040-R200



Performance

Working range	Ø 1100 x 400 mm
Noise level:	<68 dB (A)
Payload:	20 kg
Pick & place actions:	up to 110 p/min
Position repeatability:	+/- 0.1 mm

Options

LW	Lower washdown IP65
L	Low baseplate

Rotation axis

R200 (standard)	19Nm
R201	19Nm
R300	24Nm
RH200	19Nm washdown

Accessory

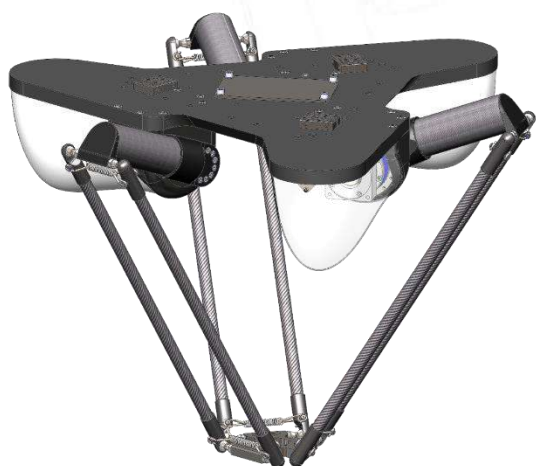
- Calibration tool
- Vacuum head
- Vacuum pipe secondary arms
- 2-way Rotary transit 8 Bar/vacuum 0.7
- Vacuum hoses
- Vacuum pipe clamps
- Cable routing



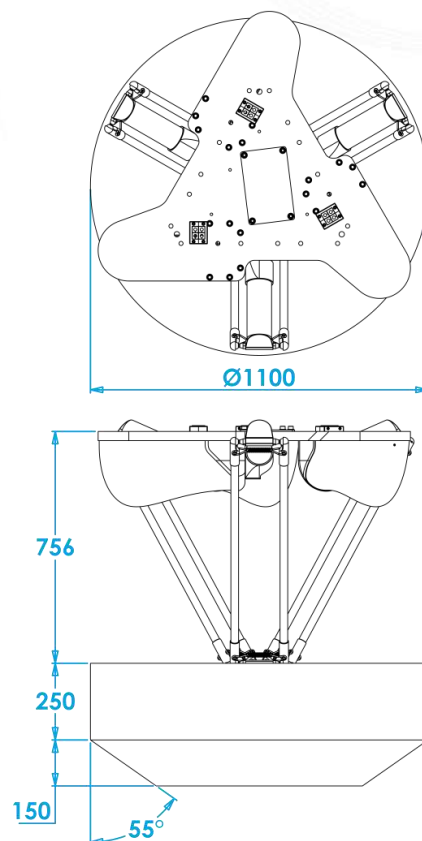
CODIAN
ROBOTICS

D4 ROBOTS

D4-1100-S040L



D4-1100-S040L



Performance

Working range	Ø 1100 x 400 mm
Noise level:	<68 dB (A)
Payload:	10 kg
Pick & place actions:	up to 110 p/min
Position repeatability:	+/- 0.1 mm

Options

LW	Lower washdown IP65
S	Reinforced base plate

Rotation axis

No rotation

Accessory

- Calibration tool
- Vacuum head
- Vacuum pipe secondary arms
- 2-way Rotary transit 8 Bar/vacuum 0.7
- Vacuum hoses
- Vacuum pipe clamps
- Cable routing



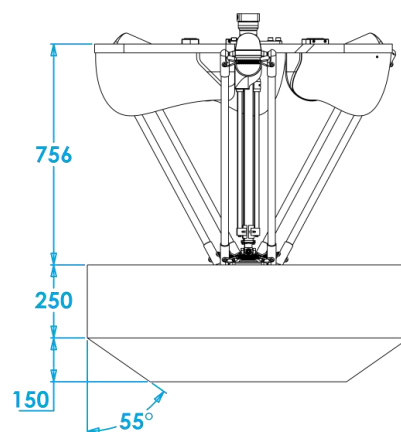
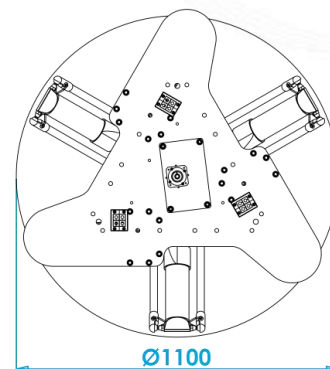
CODIAN
ROBOTICS

D4 ROBOTS

D4-1100-S040L-R200



D4-1100-S040L-R200



Performance

Working range \varnothing 1100 x 400 mm

Noise level: <68 dB (A)

Payload: 10 kg

Pick & place actions: up to 110 p/min

Position repeatability: +/- 0.1 mm

Options

LW Lower washdown IP65

S Reinforced base plate

Rotation axis

R200 (standard) 19Nm

R201 19Nm

R300 24Nm

RH200 19Nm washdown

Accessory

- Calibration tools
- Vacuum head
- Vacuum pipe secondary arms
- 2-way Rotary transit 8 Bar/vacuum 0.7
- Vacuum hoses
- Vacuum pipe clamps
- Cable routing

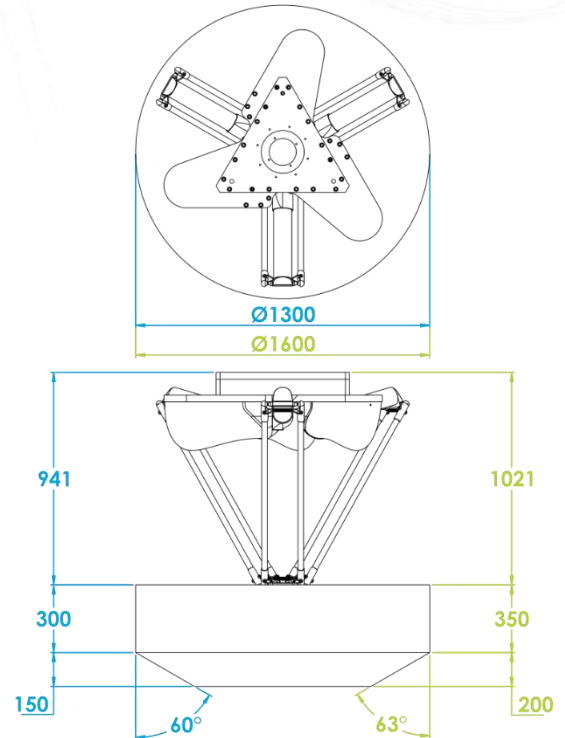
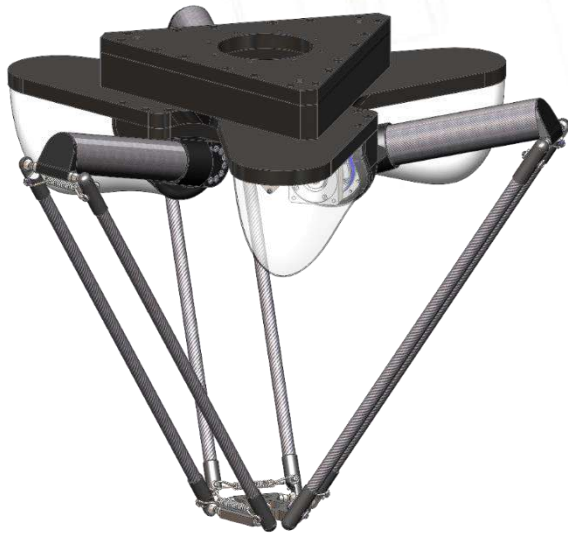


CODIAN
ROBOTICS

D4 ROBOTS

D4-1300-S040 and D4-1600-S040

941 = D4-1300-S040
1021 = D4-1600-S040



Performance

Working range	Ø 1300 x 450 mm Ø 1600 x 550 mm
Noise level:	<68 dB (A)
Payload:	20 kg
Pick & place actions:	up to 110 p/min
Position repeatability:	+/- 0.1 mm

Options

LW	Lower washdown IP65
L	Low baseplate

Rotation axis

No rotation

Accessory

- Calibration tool
- Vacuum head
- Vacuum pipe secondary arms
- 2-way Rotary transit 8 Bar/vacuum 0.7
- Vacuum hoses
- Vacuum pipe clamps
- Cable routing



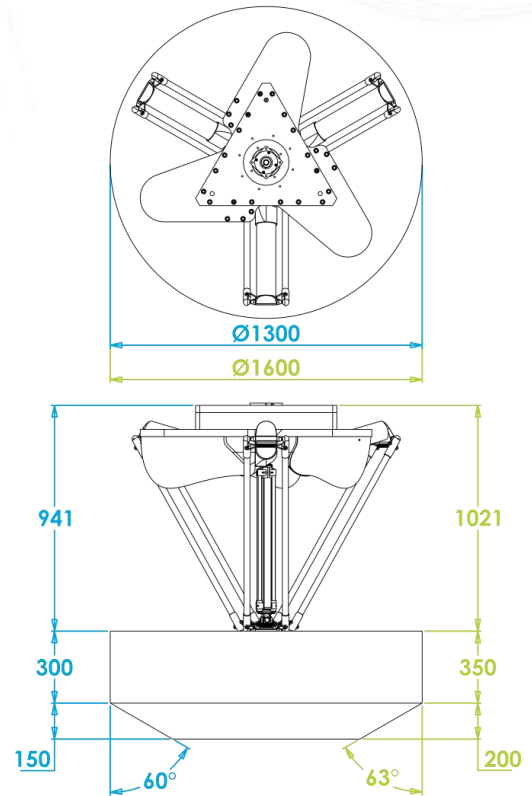
CODIAN
ROBOTICS

D4 ROBOTS

D4-1300-S040-R200 and D4-1600-S040-R200

941 = D4-1300-S040-R200

1021 = D4-1600-S040-R200



Performance

Working range	$\text{Ø} 1300 \times 450 \text{ mm}$ $\text{Ø} 1600 \times 550 \text{ mm}$
Noise level:	<68 dB (A)
Payload:	20 kg
Pick & place actions:	up to 110 p/min
Position repeatability:	+/- 0.1 mm

Options

LW	Lower washdown IP65
L	Low baseplate

Rotation axis

R200 (standard)	19Nm
R201	19Nm
R300	24Nm
RH200	19Nm washdown

Accessory

- Calibration tool
- Vacuum head
- Vacuum pipe secondary arms
- 2-way Rotary transit 8 Bar/vacuum 0.7
- Vacuum hoses
- Vacuum pipe clamps
- Cable routing



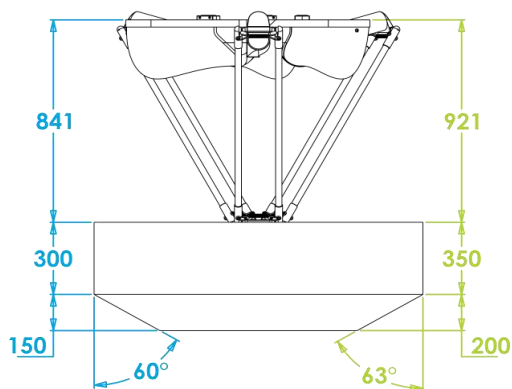
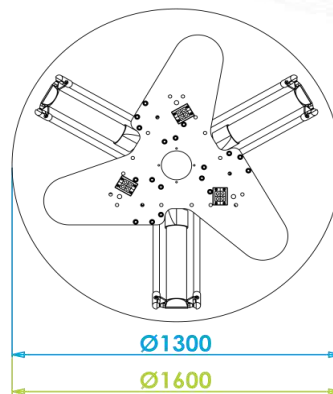
CODIAN
ROBOTICS

D4 ROBOTS

D4-1300-S040L and D4-1600-S040L

841 = D4-1300-S040L

921 = D4-1600-S040L



Performance

Working range	Ø 1300 x 450 mm Ø 1600 x 550 mm
Noise level:	<68 dB (A)
Payload:	10 kg
Pick & place actions:	up to 110 p/min
Position repeatability:	+/- 0.1 mm

Options

LW	Lower washdown IP65
S	Reinforced base plate

Rotation axis

No rotation

Accessory

- Calibration tools
- Vacuum head
- Vacuum pipe secondary arms
- 2-way Rotary transit 8 Bar/vacuum 0.7
- Vacuum hoses
- Vacuum pipe clamps
- Cable routing



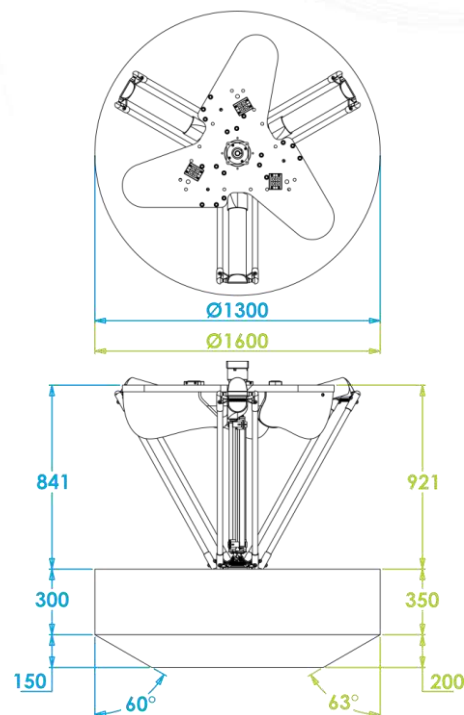
CODIAN
ROBOTICS

D4 ROBOTS

D4-1300-S040L-R200 and D4-1600-S040L-R200

841 = D4-1300-S040L-R200

921 = D4-1600-S040L-R200



Performance

Working range	Ø 1300 x 450 mm Ø 1600 x 550 mm
Noise level:	<68 dB (A)
Payload:	10 kg
Pick & place actions:	up to 110 p/min
Position repeatability:	+/- 0.1 mm

Options

LW	Lower washdown IP65
S	Reinforced base plate

Rotation axis

R200 (standard)	19Nm
R201	19Nm
R300	24Nm
RH200	19Nm washdown

Accessory

- Calibration tools
- Vacuum head
- Vacuum pipe secondary arms
- 2-way Rotary transit 8 Bar/vacuum 0.7
- Vacuum hoses
- Vacuum pipe clamps
- Cable routing



CODIAN
ROBOTICS

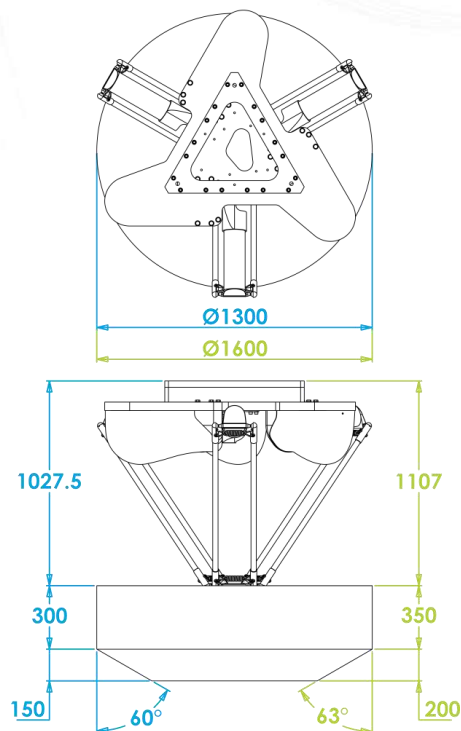
D4 ROBOTS

D4-1300-S050 and D4-1600-S050



1027.5 = D4-1300-S050

1107 = D4-1600-S050



Performance

Working range	Ø 1300 x 450 mm
	Ø 1600 x 550 mm
Noise level:	<68 dB (A)
Payload:	35 kg
Pick & place actions:	up to 110 p/min
Position repeatability:	+/- 0.1 mm

Options

LW	Lower washdown IP65
L	Low baseplate

Rotation axis

No rotation

Accessory

- Calibration tool
- Vacuum head
- Vacuum pipe secondary arms
- 2-way Rotary transit 8 Bar/vacuum 0.7
- Vacuum hoses
- Vacuum pipe clamps
- Cable routing

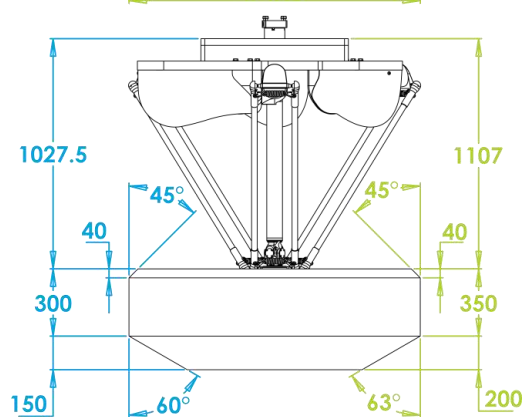
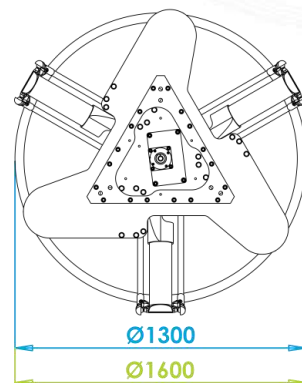


CODIAN
ROBOTICS

D4 ROBOTS

D4-1300-S050-R750 and D4-1600-S050-R750

1027.5 = D4-1300-S050-R750
1107 = D4-1600-S050-R750



Performance

Working range	Ø 1300 x 450 mm Ø 1600 x 550 mm
Noise level:	<68 dB (A)
Payload:	35 kg
Pick & place actions:	up to 110 p/min
Position repeatability:	+/- 0.1 mm

Options

LW	Lower washdown IP65
L	Low baseplate

Rotation axis

R750 (standard)	75Nm
RH200	19Nm washdown
R300	24Nm

Accessory

- Calibration tool
- Vacuum head
- Vacuum pipe secondary arms
- 2-way Rotary transit 8 Bar/vacuum 0.7
- Vacuum hoses
- Vacuum pipe clamps
- Cable routing



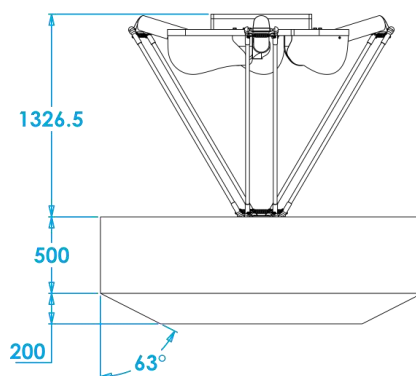
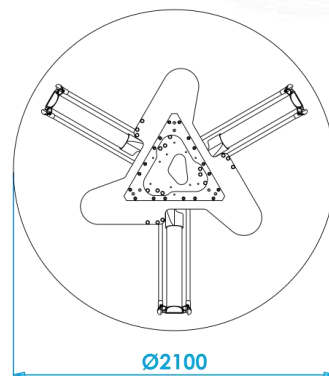
CODIAN
ROBOTICS

D4 ROBOTS

D4-2100-S050



D4-2100-S050



Performance

Working range	Ø 2100 x 700 mm
Noise level:	<68 dB (A)
Payload:	30 kg
Pick & place actions:	up to 100 p/min
Position repeatability:	+/- 0.2 mm

Options

LW	Lower washdown IP65
L	Low baseplate

Rotation axis

No rotation

Accessory

- Calibration tool
- Vacuum head
- Vacuum pipe secondary arms
- 2-way Rotary transit 8 Bar/vacuum 0.7
- Vacuum hoses
- Vacuum pipe clamps
- Cable routing



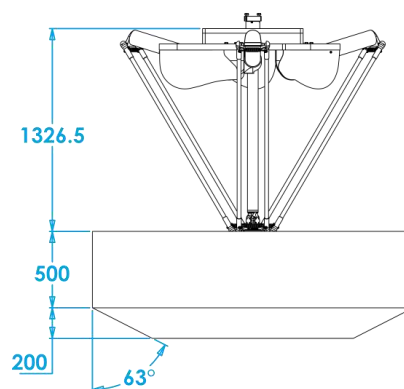
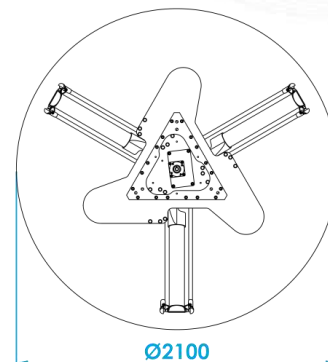
CODIAN
ROBOTICS

D4 ROBOTS

D4-2100-S050-R750



D4-2100-S050-R750



Performance

Working range	Ø 2100 x 700 mm
Noise level:	<68 dB (A)
Payload:	30 kg
Pick & place actions:	up to 100 p/min
Position repeatability:	+/- 0.2 mm

Options

LW	Lower washdown IP65
L	Low baseplate

Rotation axis

R750 (Standard)	75Nm
R300	24Nm
RH200	19Nm washdown

Accessory

- Calibration tool
- Vacuum head
- Vacuum pipe secondary arms
- 2-way Rotary transit 8 Bar/vacuum 0.7
- Vacuum hoses
- Vacuum pipe clamps
- Cable routing



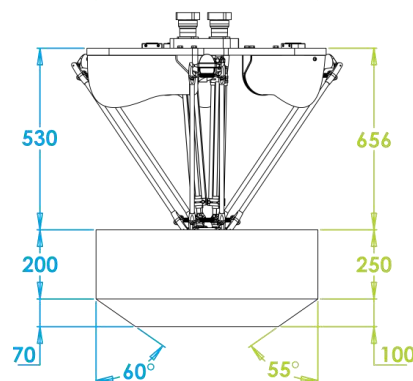
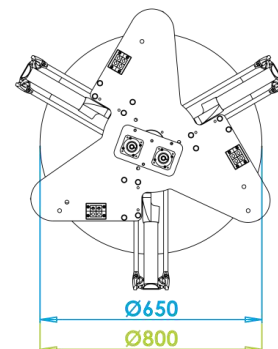
CODIAN
ROBOTICS

D5 ROBOTS

D5-650-S020-R100 and D5-800-S020-R100



530 = D5-650-S020-R100
656 = D5-800-S020-R100



Performance

Working range	Ø 650 x 270 mm Ø 800 x 350 mm
Noise level:	<68 dB (A)
Payload:	1.5 kg
Pick & place actions:	up to 150 p/min
Position repeatability:	+/- 0.1 mm
Limitation tilt axis:	12.5 Nm

Options

LW	Lower washdown IP65
G	Gripper control

Rotation axis

R100 (standard)	7Nm
-----------------	-----

Accessory

- Calibration tool
- Vacuum pipe secondary arms
- Vacuum hoses
- Cable routing
- Vacuum pipe clamps



CODIAN
ROBOTICS

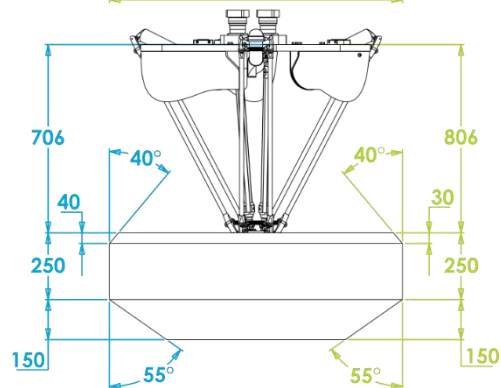
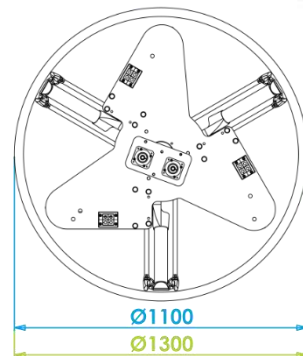
D5 ROBOTS

D5-1100-S020-R100 and D5-1300-S020-R100



706 = D5-1100-S020-R100

806 = D5-1300-S020-R100



Performance

Working range	Ø 1100 x 400 mm Ø 1300 x 400 mm
Noise level:	<68 dB (A)
Payload:	1.5 kg
Pick & place actions:	up to 130 p/min
Position repeatability:	+/- 0.1 mm
Limitation tilt axis:	12.5 Nm

Options

LW	Lower washdown IP65
G	Gripper control

Rotation axis

R100 (standard)	7Nm
-----------------	-----

Accessory

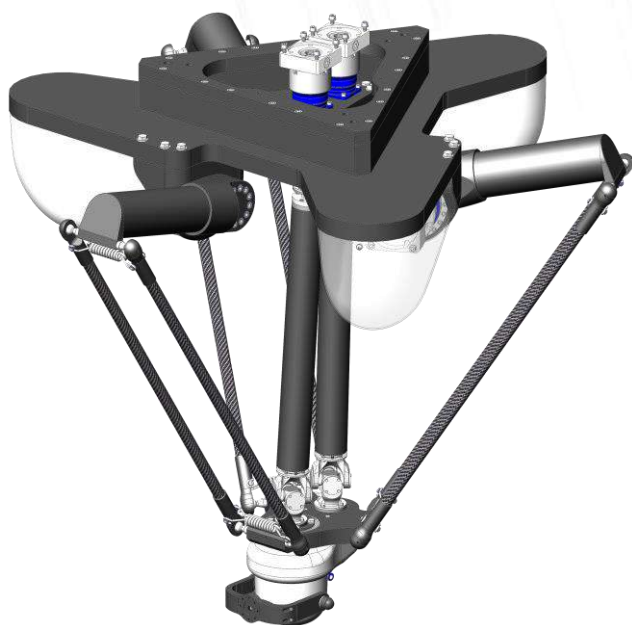
- Calibration tool
- Vacuum pipe secondary arms
- Vacuum hoses
- Cable routing
- Vacuum pipe clamps



CODIAN
ROBOTICS

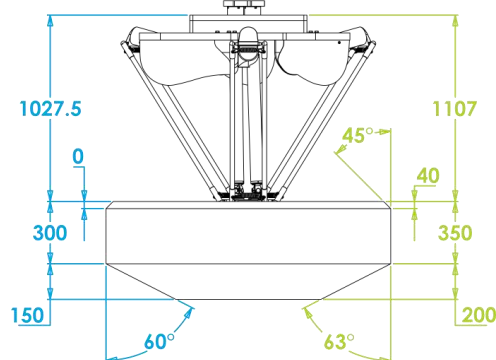
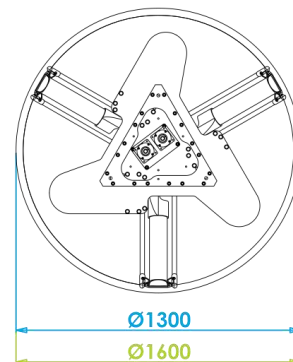
D5 ROBOTS

D5-1300-S050-R750 and D5-1600-S050-R750



1027.5 = D5-1300-S050-R750

1107 = D5-1600-S050-R750



Performance

Working range	Ø 1300 x 450 mm Ø 1600 x 550 mm
Noise level:	<68 dB (A)
Payload:	25 kg
Pick & place actions:	up to 110 p/min
Position repeatability:	+/- 0.1 mm
Limitation tilt axis:	12.5 Nm

Options

LW	Lower washdown IP65
G	Gripper control

Rotation axis

R750 (standard)	75Nm
R300	24 Nm

Accessory

- Calibration tool
- Vacuum pipe secondary arms
- Vacuum hoses
- Cable routing
- Vacuum pipe clamps



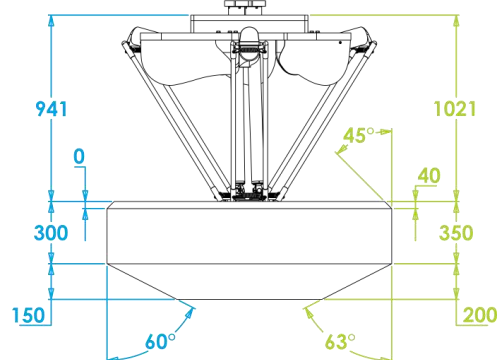
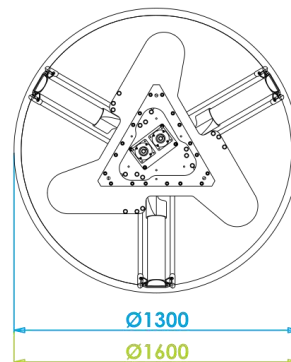
CODIAN
ROBOTICS

D5 ROBOTS

D5-1300-S040G-R300 and D5-1600-S040G-R300

941 = D5-1300-S040G-R300

1021 = D5-1600-S040G-R300



Performance

Working range	Ø 1300 x 450 mm Ø 1600 x 550 mm
Noise level:	<68 dB (A)
Payload:	15 kg
Pick & place actions:	up to 110 p/min
Position repeatability:	+/- 0.1 mm

Options

LW	Lower washdown IP65
----	---------------------

Rotation axis

R300 (standard)	24Nm
-----------------	------

Accessory

- Calibration tool
- Vacuum head
- Vacuum pipe secondary arms



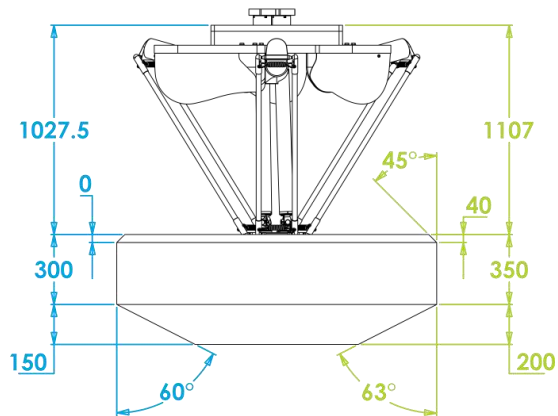
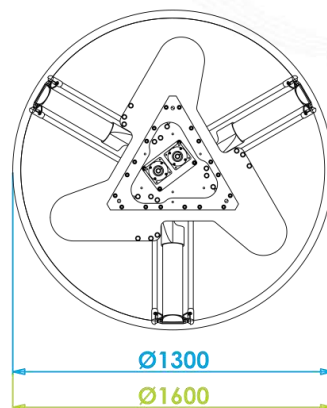
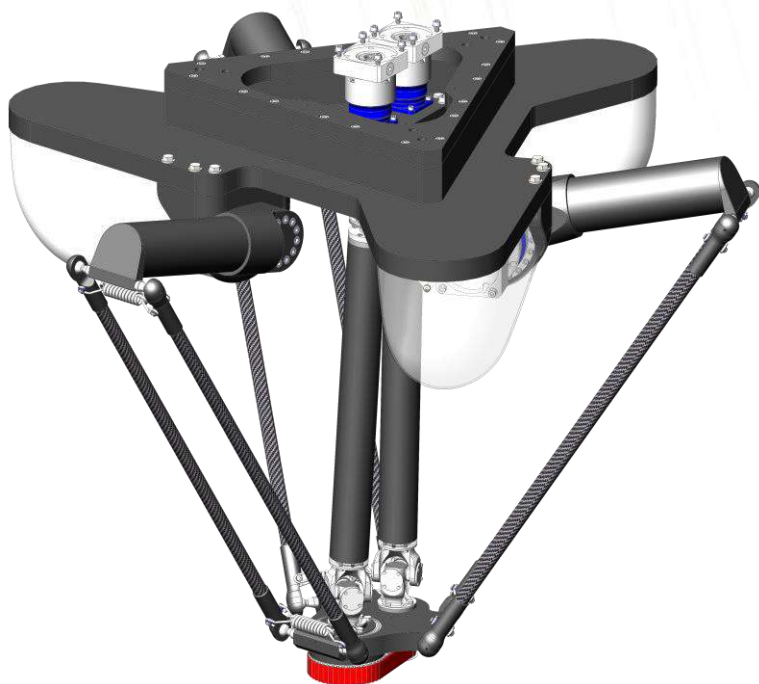
CODIAN
ROBOTICS

D5 ROBOTS

D5-1300-S050G-R750 and D5-1600-S050G-R750

1027.5 = D5-1300-S050G-R750

1107 = D5-1600-S050G-R750



Performance

Working range	Ø 1300 x 450 mm Ø 1600 x 550 mm
Noise level:	<68 dB (A)
Payload:	35 kg
Pick & place actions:	up to 110 p/min
Position repeatability:	+/- 0.1 mm

Options

LW	Lower washdown IP65
----	---------------------

Rotation axis

R750 (standard)	75Nm
R300	24Nm

Accessory

- Calibration tool
- Vacuum head
- Vacuum pip secondary arms



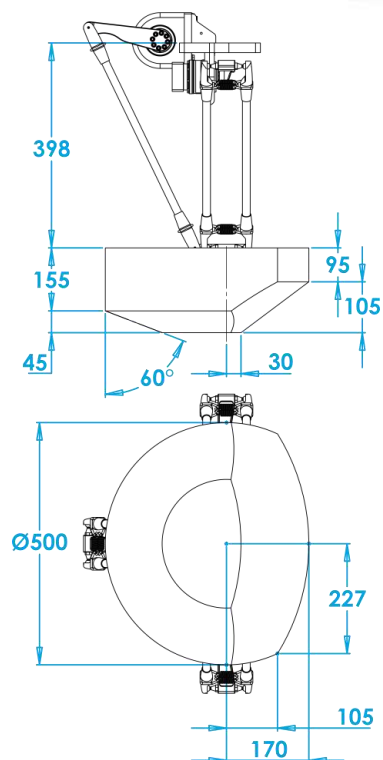
CODIAN
ROBOTICS

TD4 ROBOTS

TD4-500-S010



TD4-500-S010



Performance

Working range	Ø 500 x 200 mm
Noise level:	<68 dB (A)
Payload:	up to 2 kg
Pick & place actions:	up to 200 p/min
Position repeatability:	+/- 0.1 mm

Options

LW	Lower washdown IP65
----	---------------------

Rotation axis

No rotation

Accessory

- Calibration tool
- Vacuum head
- Vacuum pipe secondary arms
- 2-way Rotary transit 8 Bar/vacuum 0.7
- Vacuum hoses
- Vacuum pipe clamps
- Cable routing



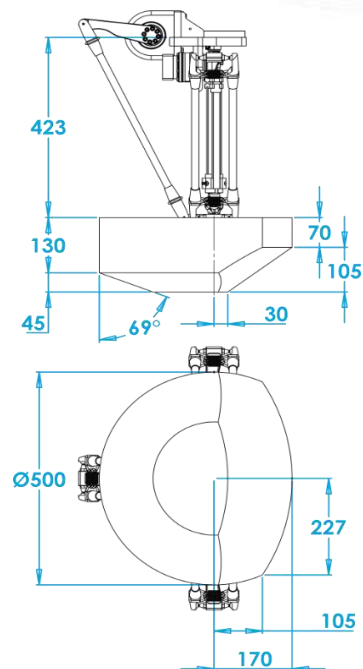
CODIAN
ROBOTICS

TD4 ROBOTS

TD4-500-S010-R109



TD4-500-S010-R109



Performance

Working range	Ø 500 x 175 mm
Noise level:	<68 dB (A)
Payload:	up to 2 kg
Pick & place actions:	up to 200 p/min
Position repeatability:	+/- 0.1 mm

Options

LW	Lower washdown IP65
----	---------------------

Rotation axis

R109 (standard)	7Nm no gear
R100	7Nm
RH090	7Nm washdown

Accessory

- Calibration tool
- Vacuum head
- Vacuum pipe secondary arms
- 2-way Rotary transit 8 Bar/vacuum 0.7
- Vacuum hoses
- Vacuum pipe clamps
- Cable routing



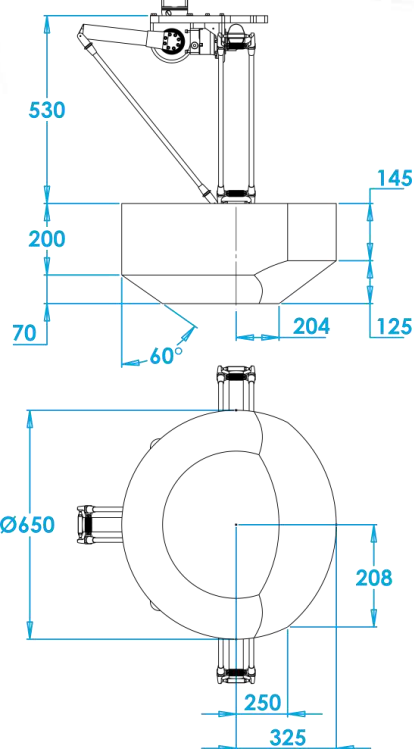
CODIAN
ROBOTICS

TD4 ROBOTS

TD4-650-S020



TD4-650-S020



Performance

Working range	Ø 650 x 270 mm
Noise level:	<68 dB (A)
Payload:	3 kg
Pick & place actions:	up to 200 p/min
Position repeatability:	+/- 0.1 mm

Options

LW	Lower washdown IP65
----	---------------------

Rotation axis

No rotation

Accessory

- Calibration tool
- Vacuum head
- Vacuum pipe secondary arms
- 2-way Rotary transit 8 Bar/vacuum 0.7
- Vacuum hoses
- Vacuum pipe clamps
- Cable routing



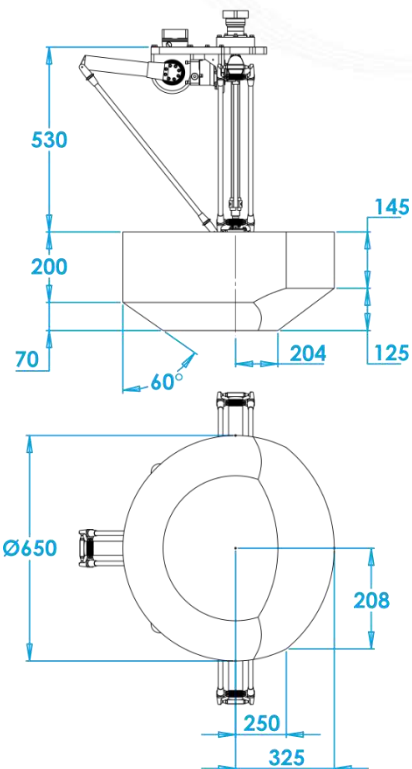
CODIAN
ROBOTICS

TD4 ROBOTS

TD4-650-S020-R100



TD4-650-S020-R100



Performance

Working range	Ø 650 x 270 mm
Noise level:	<68 dB (A)
Payload:	3 kg
Pick & place actions:	up to 200 p/min
Position repeatability:	+/- 0.1 mm

Options

LW	Lower washdown IP65
----	---------------------

Rotation axis

R100 (standard)	7Nm
R200	19Nm
RH090	7Nm washdown

Accessory

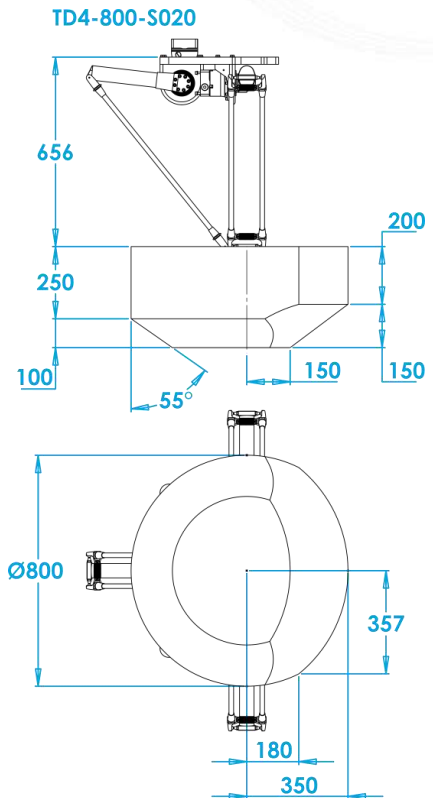
- Calibration tool
- Vacuum head
- Vacuum pipe secondary arms
- 2-way Rotary transit 8 Bar/vacuum 0.7
- Vacuum hoses
- Vacuum pipe clamps
- Cable routing



CODIAN
ROBOTICS

TD4 ROBOTS

TD4-800-S020



Performance

Working range	Ø 800 x 350 mm
Noise level:	<68 dB (A)
Payload:	3 kg
Pick & place actions:	up to 200 p/min
Position repeatability:	+/- 0.1 mm

Options

LW	Lower washdown IP65
----	---------------------

Rotation axis

No rotation

Accessory

- Calibration tool
- Vacuum head
- Vacuum pipe secondary arms
- 2-way Rotary transit 8 Bar/vacuum 0.7
- Vacuum hoses
- Vacuum pipe clamps
- Cable routing



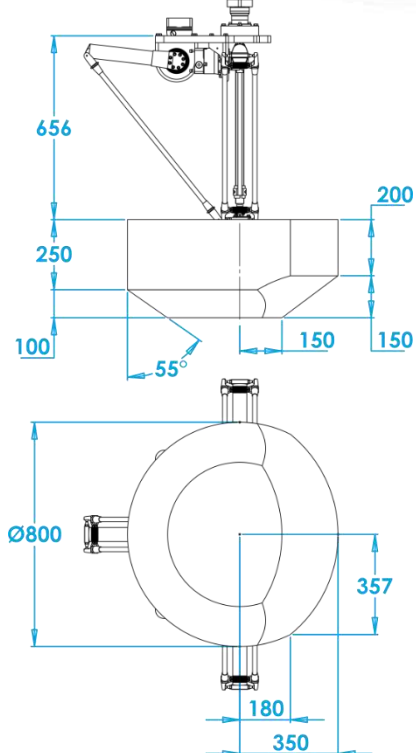
CODIAN
ROBOTICS

TD4 ROBOTS

TD4-800-S020-R100



TD4-800-S020-R100



Performance

Working range	Ø 800 x 350 mm
Noise level:	<68 dB (A)
Payload:	3 kg
Pick & place actions:	up to 200 p/min
Position repeatability:	+/- 0.1 mm

Options

LW	Lower washdown IP65
----	---------------------

Rotation axis

R100 (standard)	7Nm
R200	19Nm
R201	19Nm
RH200	19Nm washdown

Accessory

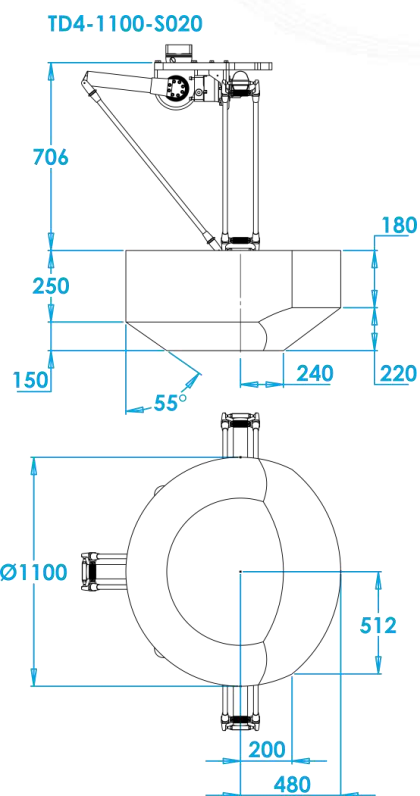
- Calibration tool
- Vacuum head
- Vacuum pipe secondary arms
- 2-way Rotary transit 8 Bar/vacuum 0.7
- Vacuum hoses
- Vacuum pipe clamps
- Cable routing



CODIAN
ROBOTICS

TD4 ROBOTS

TD4-1100-S020



Performance

Working range	Ø 1100 x 400 mm
Noise level:	<68 dB (A)
Payload:	3 kg
Pick & place actions:	up to 180 p/min
Position repeatability:	+/- 0.1 mm

Options

LW	Lower washdown IP65
----	---------------------

Rotation

No rotation

Accessory

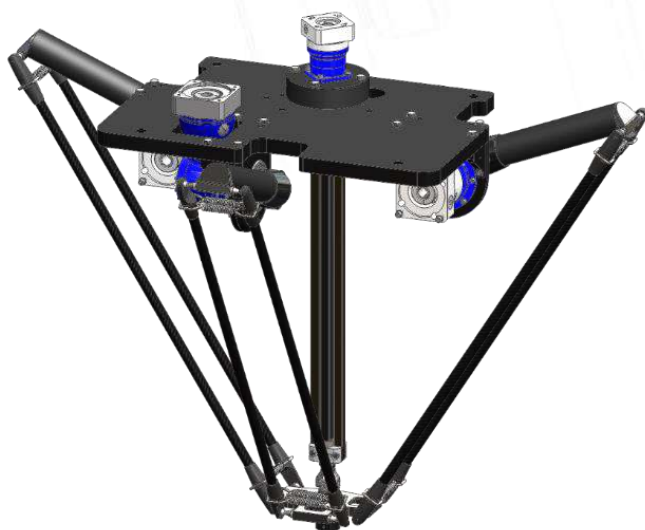
- Calibration tool
- Vacuum head
- Vacuum pipe secondary arms
- 2-way Rotary transit 8 Bar/vacuum 0.7
- Vacuum hoses
- Vacuum pipe clamps
- Cable routing



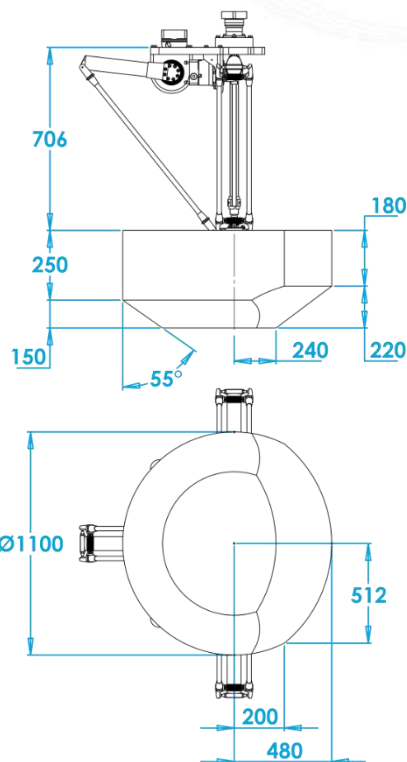
CODIAN
ROBOTICS

TD4 ROBOTS

TD4-1100-S020-R100



TD4-1100-S020-R100



Performance

Working range	Ø 1100 x 400 mm
Noise level:	<68 dB (A)
Payload:	3 kg
Pick & place actions:	up to 180 p/min
Position repeatability:	+/- 0.1 mm

Options

LW	Lower washdown IP65
----	---------------------

Rotation

R100 (standard)	7Nm
R200	19Nm
R201	19Nm
RH200	19Nm washdown

Accessory

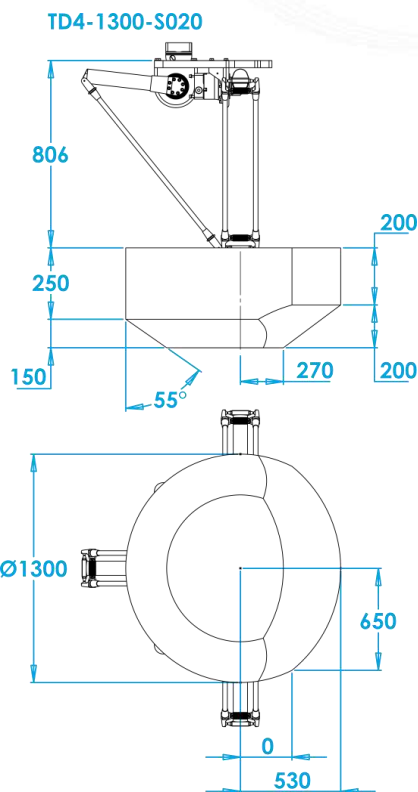
- Calibration tool
- Vacuum head
- Vacuum pipe secondary arms
- 2-way Rotary transit 8 Bar/vacuum 0.7
- Vacuum hoses
- Vacuum pipe clamps
- Cable routing



CODIAN
ROBOTICS

TD4 ROBOTS

TD4-1300-S020



Performance

Working range	Ø 1300 x 400 mm
Noise level:	<68 dB (A)
Payload:	3 kg
Pick & place actions:	up to 150 p/min
Position repeatability:	+/- 0.1 mm

Options

LW	Lower washdown IP65
----	---------------------

Rotation

No rotation

Accessory

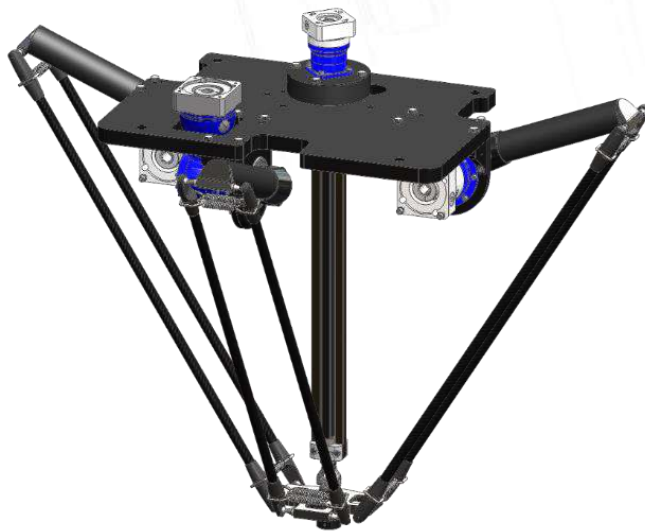
- Calibration tool
- Vacuum head
- Vacuum pipe secondary arms
- 2-way Rotary transit 8 Bar/vacuum 0.7
- Vacuum hoses
- Vacuum pipe clamps
- Cable routing



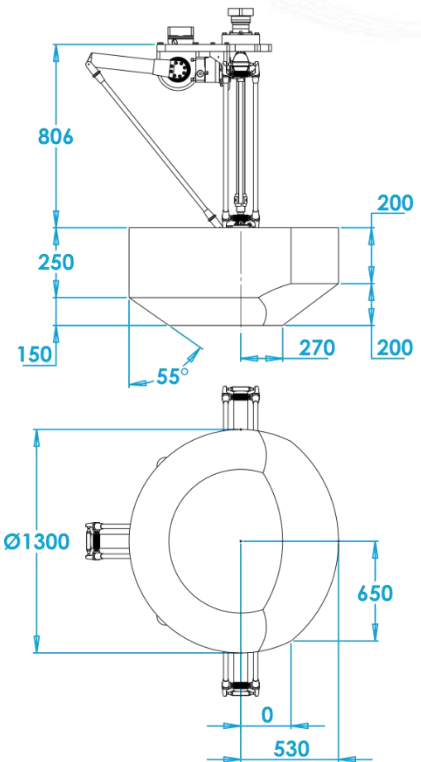
CODIAN
ROBOTICS

TD4 ROBOTS

TD4-1300-S020-R100



TD4-1300-S020-R100



Performance

Working range	Ø 1300 x 400 mm
Noise level:	<68 dB (A)
Payload:	3 kg
Pick & place actions:	up to 150 p/min
Position repeatability:	+/- 0.1 mm

Options

LW	Lower washdown IP65
----	---------------------

Rotation

R100 (standard)	7Nm
R200	19Nm
RH090	7Nm washdown
RH200	19Nm washdown

Accessory

- Calibration tool
- Vacuum head
- Vacuum pipe secondary arms
- 2-way Rotary transit 8 Bar/vacuum 0.7
- Vacuum hoses
- Vacuum pipe clamps
- Cable routing



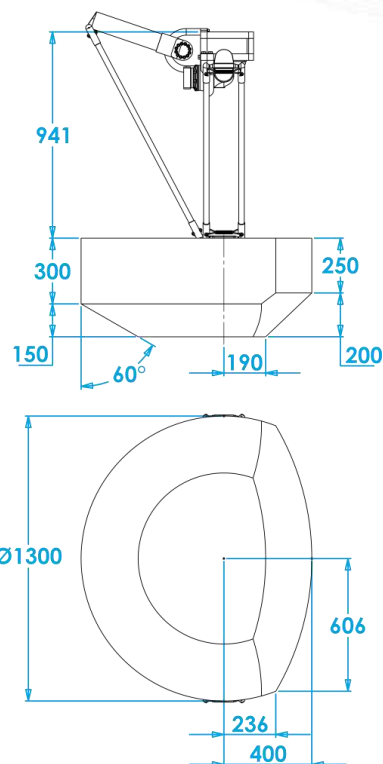
CODIAN
ROBOTICS

TD4 ROBOTS

TD4-1300-S040



TD4-1300-S040



Performance

Working range	Ø 1300 x 450 mm
Noise level:	<68 dB (A)
Payload:	12 kg
Pick & place actions:	up to 100 p/min
Position repeatability:	+/- 0.1 mm

Options

LW	Lower washdown IP65
----	---------------------

Rotation axis

No rotation

Accessory

- Calibration tool
- Vacuum head
- Vacuum pipe secondary arms
- 2-way Rotary transit 8 Bar/vacuum 0.7
- Vacuum hoses
- Vacuum pipe clamps
- Cable routing



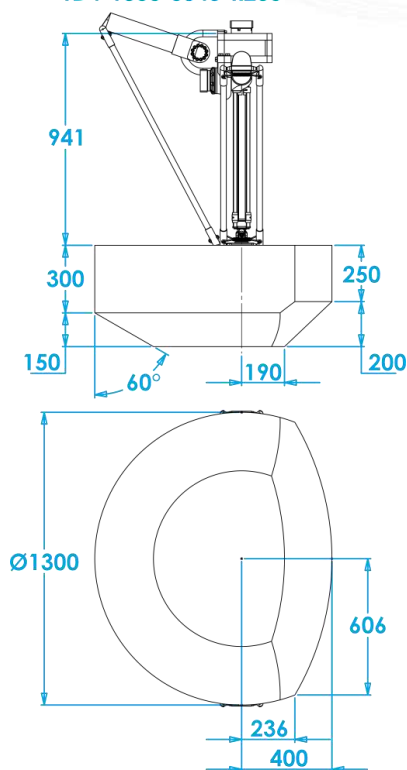
CODIAN
ROBOTICS

TD4 ROBOTS

TD4-1300-S040-R200



TD4-1300-S040-R200



Performance

Working range	Ø 1300 x 450 mm
Noise level:	<68 dB (A)
Payload:	12 kg
Pick & place actions:	up to 100 p/min
Position repeatability:	+/- 0.1 mm

Options

LW	Lower washdown IP65
----	---------------------

Rotation axis

R200 (standard)	19Nm
R201	19Nm
R300	24Nm
RH200	19Nm washdown

Accessory

- Calibration tool
- Vacuum head
- Vacuum pipe secondary arms
- 2-way Rotary transit 8 Bar/vacuum 0.7
- Vacuum hoses
- Vacuum pipe clamps
- Cable routing



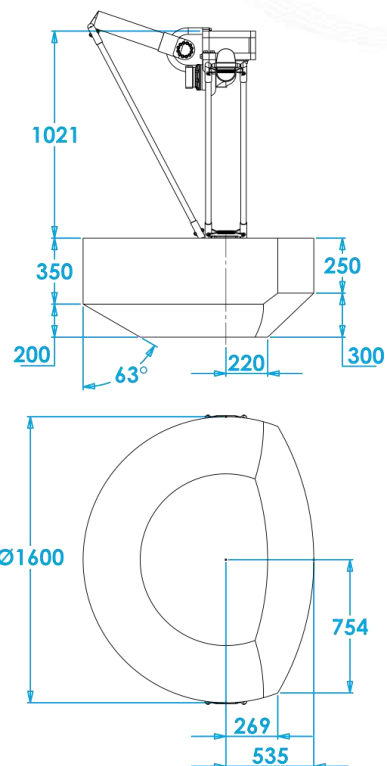
CODIAN
ROBOTICS

TD4 ROBOTS

TD4-1600-S040



TD4-1600-S040



Performance

Working range	Ø 1600 x 550 mm
Noise level:	<68 dB (A)
Payload:	12 kg
Pick & place actions:	up to 100 p/min
Position repeatability:	+/- 0.1 mm

Options

LW	Lower washdown IP65
----	---------------------

Rotation axis

No rotation

Accessory

- Calibration tool
- Vacuum head
- Vacuum pipe secondary arms
- 2-way Rotary transit 8 Bar/vacuum 0.7
- Vacuum hoses
- Vacuum pipe clamps
- Cable routing



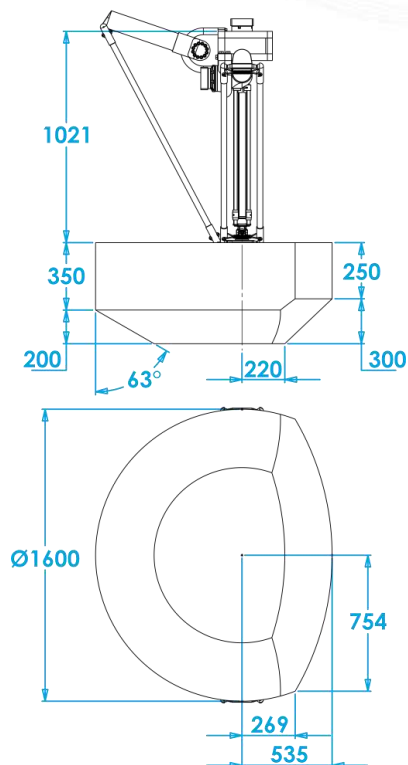
CODIAN
ROBOTICS

TD4 ROBOTS

TD4-1600-S040-R200



TD4-1600-S040-R200



Performance

Working range	Ø 1600 x 550 mm
Noise level:	<68 dB (A)
Payload:	12 kg
Pick & place actions:	up to 100 p/min
Position repeatability:	+/- 0.1 mm

Options

LW	Lower washdown IP65
----	---------------------

Rotation axis

R200 (standard)	19Nm
R201	19Nm
R300	24Nm
RH200	19Nm washdown

Accessory

- Calibration tool
- Vacuum head
- Vacuum pipe secondary arms
- 2-way Rotary transit 8 Bar/vacuum 0.7
- Vacuum hoses
- Vacuum pipe clamps

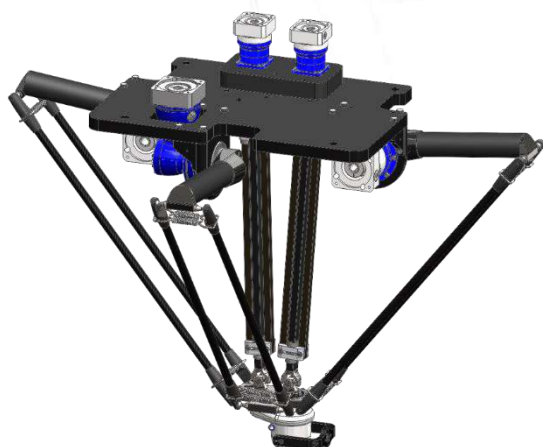
- Cable routing



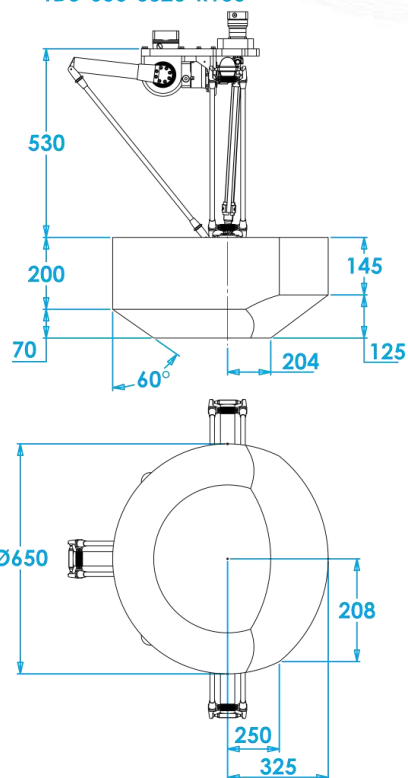
CODIAN
ROBOTICS

TD5 ROBOTS

TD5-650-S020-R100



TD5-650-S020-R100



Performance

Working range	Ø 650 x 270 mm
Noise level:	<68 dB (A)
Payload:	1.5 kg
Pick & place actions:	up to 150 p/min
Position repeatability:	+/- 0.1 mm
Limitation tilt axis:	12.5Nm

Options

LW	Lower washdown IP65
----	---------------------

Rotation axis

R100	7Nm
RH090	7Nm washdown
RH200	19Nm washdown

Accessory

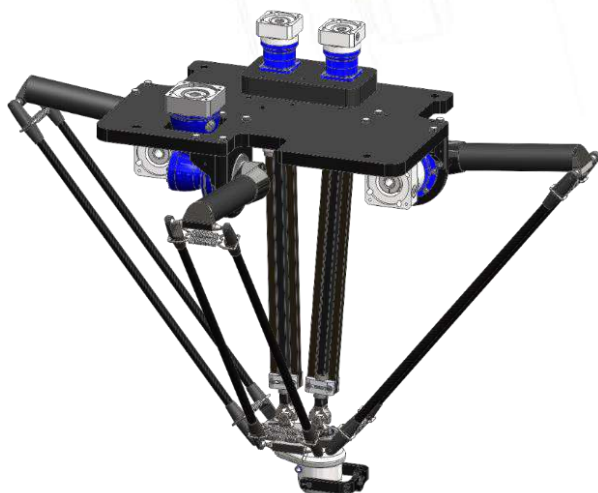
- Calibration tools
- Vacuum pipe secondary arms
- Vacuum hoses
- Cable routing
- Vacuum pipe clamps



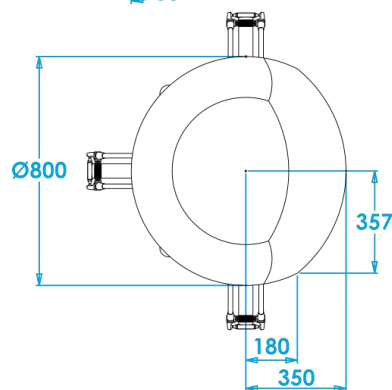
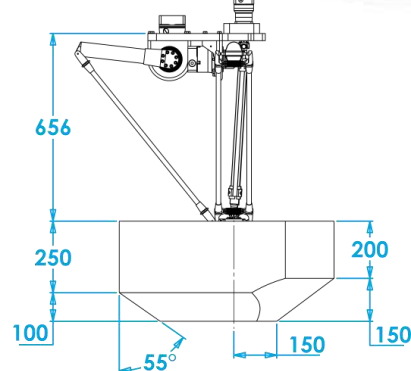
CODIAN
ROBOTICS

TD5 ROBOTS

TD5-800-S020-R100



TD5-800-S020-R100



Performance

Working range	Ø 800 x 350 mm
Noise level:	<68 dB (A)
Payload:	1.5 kg
Pick & place actions:	up to 130 p/min
Position repeatability:	+/- 0.1 mm
Limitation tilt axis:	12.5 Nm

Options

LW	Lower washdown IP65
G	Gripper control

Rotation axis

R100	7Nm
RH090	7Nm washdown
RH200	19Nm washdown

Accessory

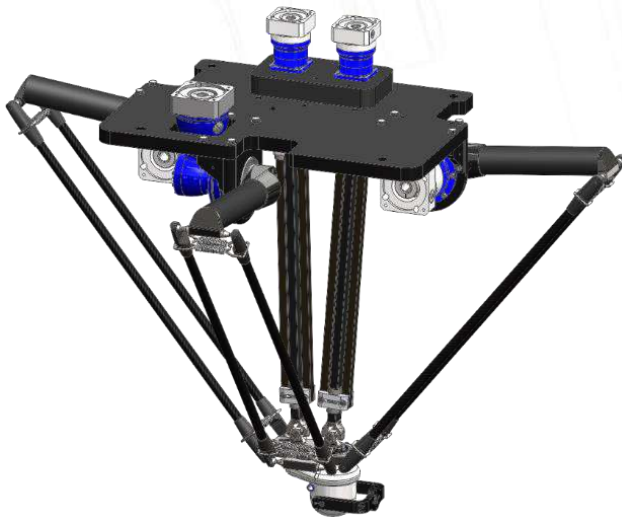
- Calibration tools
- Vacuum pipe secondary arms
- Vacuum hoses
- Cable routing
- Vacuum pipe clamps



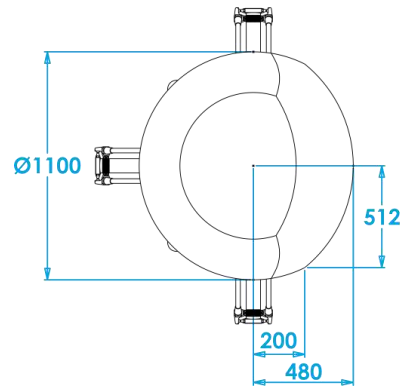
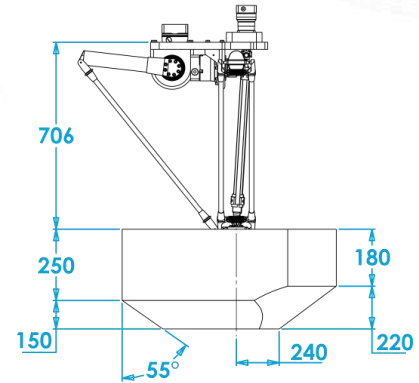
CODIAN
ROBOTICS

TD5 ROBOTS

TD5-1100-S020-R100



TD5-1100-S020-R100



Performance

Working range	Ø 1100 x 400 mm
Noise level:	<68 dB (A)
Payload:	1.5 kg
Pick & place actions:	up to 150 p/min
Position repeatability:	+/- 0.1 mm
Limitation tilt axis:	12.5 Nm

Options

LW	Lower washdown IP65
G	Gripper control

Rotation axis

R100	7Nm
RH090	7Nm IP69K
RH200	19Nm IP69K

Accessory

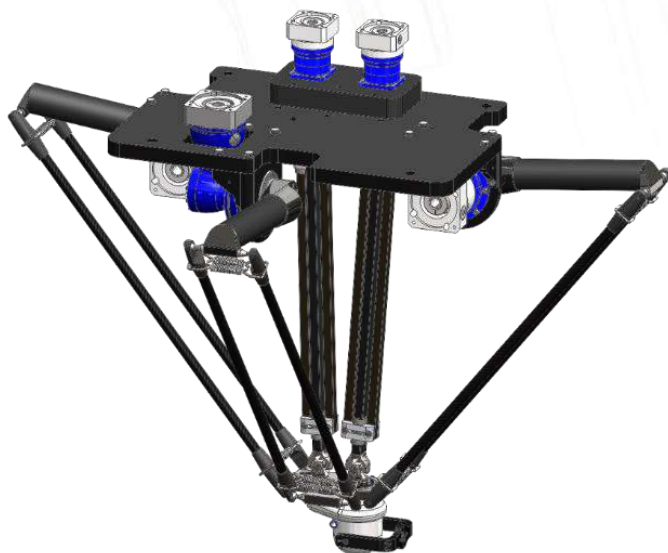
- Calibration tools
- Vacuum pipe secondary arms
- Vacuum hoses
- Cable routing
- Vacuum pipe clamps



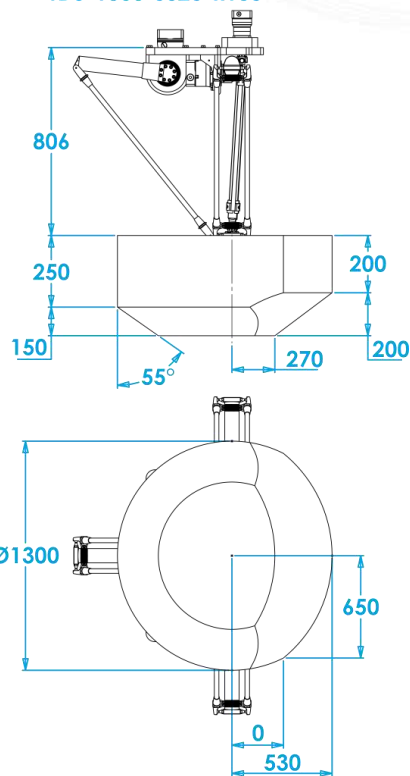
CODIAN
ROBOTICS

TD5 ROBOTS

TD5-1300-S020-R100



TD5-1300-S020-R100



Performance

Working range	Ø 1300 x 400 mm
Noise level:	<68 dB (A)
Payload:	1.5 kg
Pick & place actions:	up to 120 p/min
Position repeatability:	+/- 0.1 mm
Limitation tilt axis:	12.5 Nm

Options

LW	Lower washdown IP65
G	Gripper control

Rotation axis

R100	7Nm
RH090	7Nm IP69K
RH200	19Nm IP69K

Accessory

- Calibration tools
- Vacuum pipe secondary arms
- Vacuum hoses
- Cable routing
- Vacuum pipe clamps



CODIAN
ROBOTICS

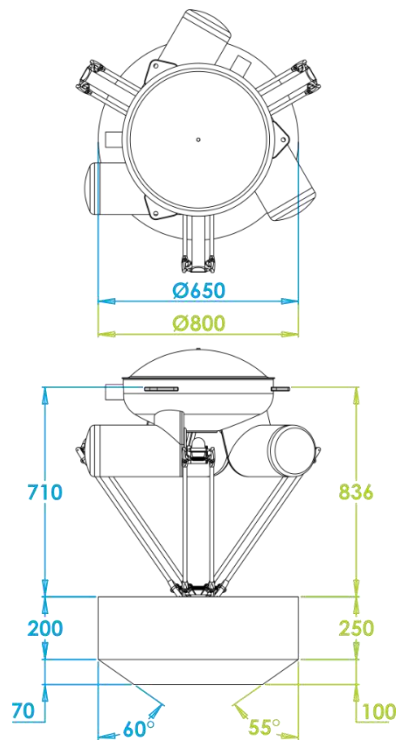
HYGIENIC DESIGN ROBOTS

D4-650-HD021 and D4-800-HD021



710 = D4-650-HD021

836 = D4-800-HD021



Performance

Working range	$\text{Ø} 650 \times 270 \text{ mm}$ $\text{Ø} 800 \times 350 \text{ mm}$
Noise level:	<68 dB (A)
Payload:	3 kg
Pick & place actions:	up to 200 p/min
Position repeatability:	+/- 0.1 mm
Classification:	IP69K

Options

No options

Rotation axis

No rotation

Accessory

- Calibration tools
- Vacuum pipe secondary arms
- Vacuum hoses
- Cable routing
- Vacuum pipe clamps



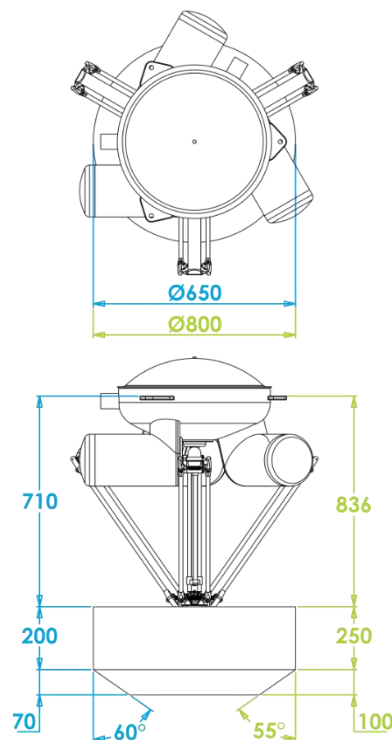
CODIAN
ROBOTICS

HYGIENIC DESIGN ROBOTS

D4-650-HD021-RH090 and D4-800-HD021-RH090



710 = D4-650-HD021-RH090
836 = D4-800-HD021-RH090



Performance

Working range	Ø 650 x 270 mm Ø 800 x 350 mm
Noise level:	<68 dB (A)
Payload:	3 kg
Pick & place actions:	up to 200 p/min
Position repeatability:	+/- 0.1 mm
Classification	IP69K

Options

No options

Rotation axis

RH090 (standard)	7Nm IP69K
RH200	19Nm IP69K

Accessory

- Calibration tools
- Vacuum pipe secondary arms
- Vacuum hoses
- Cable routing
- Vacuum pipe clamps



CODIAN
ROBOTICS

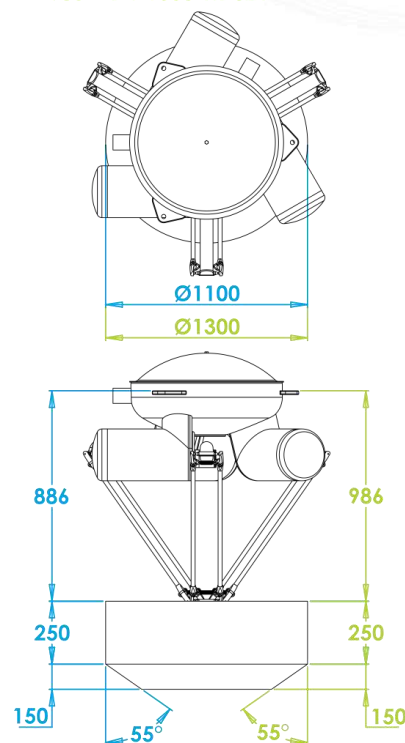
HYGIENIC DESIGN ROBOTS

D4-1100-HD021 and D4-1300-HD021



886 = D4-1100-HD021

986 = D4-1300-HD021



Performance

Working range	Ø 1100 x 400 mm Ø 1300 x 400 mm
Noise level:	<68 dB (A)
Payload:	3 kg
Pick & place actions:	up to 150 p/min
Position repeatability:	+/- 0.1 mm
Classification:	IP69K

Options

No options

Rotation axis

No rotation

Accessory

- Calibration tools
- Vacuum pipe secondary arms
- Vacuum hoses
- Cable routing
- Vacuum pipe clamps



CODIAN
ROBOTICS

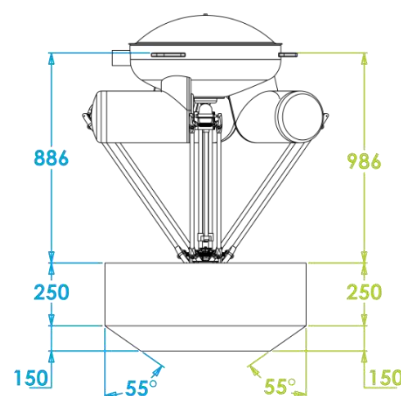
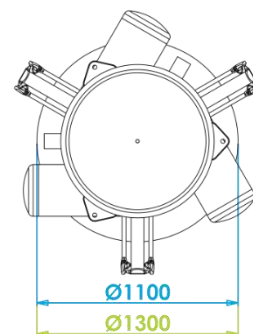
HYGIENIC DESIGN ROBOTS

D4-1100-HD021-RH090 and D4-1300-HD021-RH090



886 = D4-1100-HD021-RH090

986 = D4-1300-HD021-RH090



Performance

Working range	Ø 1100 x 400 mm Ø 1300 x 400 mm
Noise level:	<68 dB (A)
Payload:	3 kg
Pick & place actions:	up to 150 p/min
Position repeatability:	+/- 0.1 mm
Classification:	IP69K

Options

No options

Rotation axis

RH090 (standard)	7Nm IP69K
RH200	19Nm IP69K

Accessory

- Calibration tool
- Vacuum pipe secondary arms
- Vacuum hoses
- Cable routing
- Vacuum pipe clamps



CODIAN
ROBOTICS

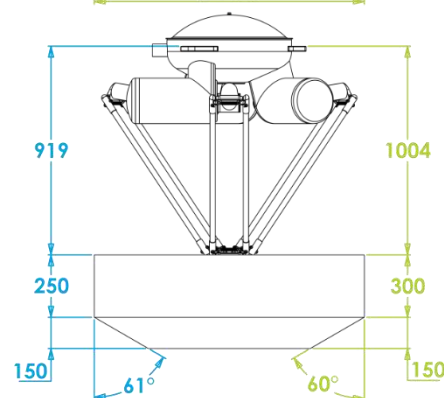
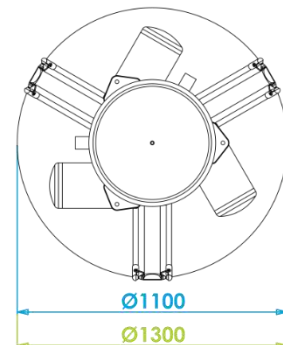
HYGIENIC DESIGN ROBOTS

D4-1100-HD041 and D4-1300-HD041



919 = D4-1100-HD041

1004 = D4-1300-HD041



Performance

Working range	Ø 1100 x 400 mm Ø 1300 x 450 mm
Noise level:	<68 dB (A)
Payload:	20 kg
Pick & place actions:	up to 120 p/min
Position repeatability:	+/- 0.1 mm
Classification:	IP69K

Options

No options

Rotation axis

No rotation

Accessory

- Calibration tool
- Vacuum pipe secondary arms
- Vacuum hoses
- Cable routing
- Vacuum pipe clamps



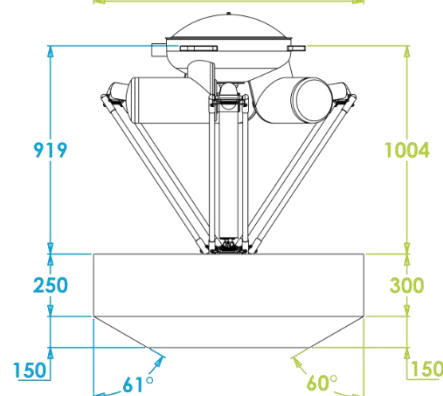
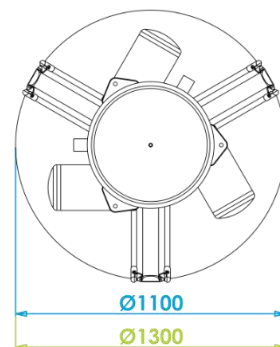
CODIAN
ROBOTICS

HYGIENIC DESIGN ROBOTS

D4-1100-HD041-RH200 and D4-1300-HD041-RH200



919 = D4-1100-HD041-RH200
1004 = D4-1300-HD041-RH200



Performance

Working range	Ø 1100 x 400 mm Ø 1300 x 450 mm
Noise level:	<68 dB (A)
Payload:	20 kg
Pick & place actions:	up to 120 p/min
Position repeatability:	+/- 0.1 mm
Classification:	IP69K

Options

No options

Rotation axis

RH200 (standard)	19Nm IP69K
------------------	------------

Accessory

- Calibration tool
- Vacuum pipe secondary arms
- Vacuum hoses
- Cable routing
- Vacuum pipe clamps



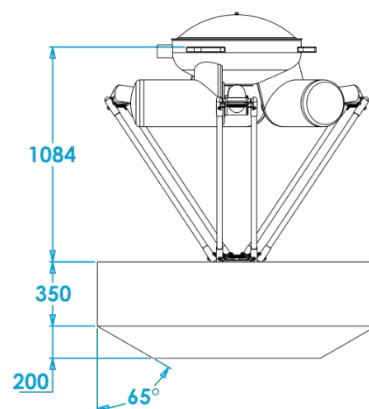
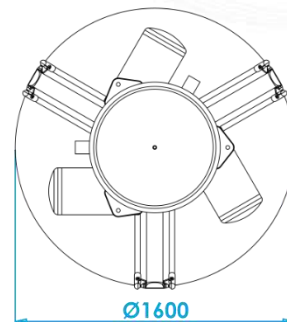
CODIAN
ROBOTICS

HYGIENIC DESIGN ROBOTS

D4-1600-HD041



D4-1600-HD041



Performance

Working range	Ø 1600 x 550 mm
Noise level:	<68 dB (A)
Payload:	20 kg
Pick & place actions:	up to 90 p/min
Position repeatability:	+/- 0.1 mm
Classification:	IP69K

Options

No options

Rotation axis

No rotation

Accessory

- Calibration tool
- Vacuum pipe secondary arms
- Vacuum hoses
- Cable routing
- Vacuum pipe clamps



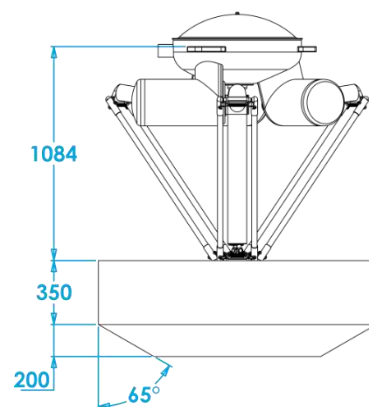
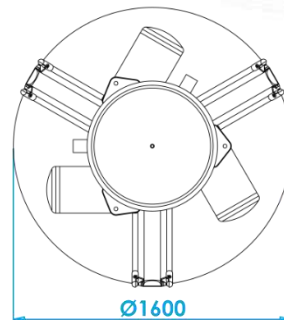
CODIAN
ROBOTICS

HYGIENIC DESIGN ROBOTS

D4-1600-HD041-RH200



D4-1600-HD041-RH200



Performance

Working range	Ø 1600 x 550 mm
Noise level:	<68 dB (A)
Payload:	20 kg
Pick & place actions:	up to 90 p/min
Position repeatability:	+/- 0.1 mm
Classification:	IP69K

Options

No options

Rotation axis

RH200 (standard)	19Nm IP69K
------------------	------------

Accessory

- Calibration tool
- Vacuum pipe secondary arms
- Vacuum hoses
- Cable routing
- Vacuum pipe clamps



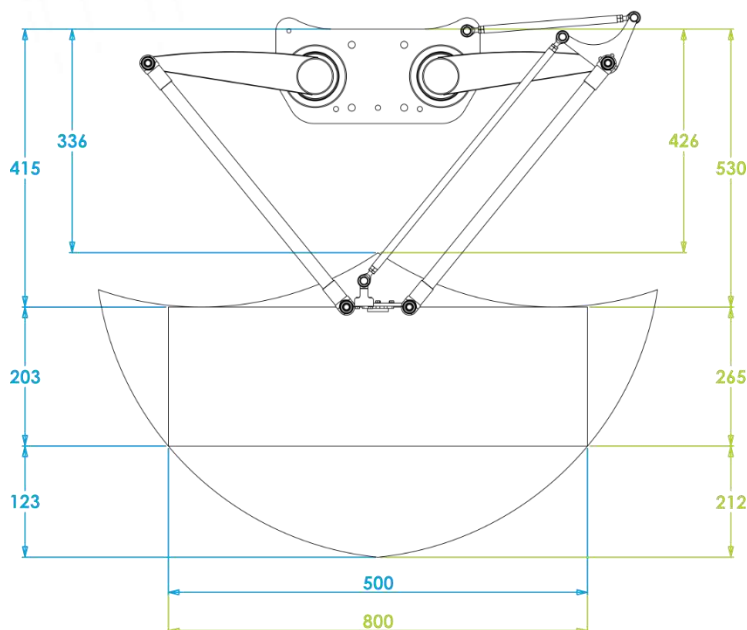
CODIAN
ROBOTICS

HYGIENIC DESIGN ROBOTS OPEN STRUCTURE

D2-500-OS070 and D2-800-OS070

415 = D2-500-OS070

530 = D2-800-OS070



Performance

Working range	500 x 326 mm 800 x 477 mm
Noise level:	<68 dB (A)
Payload:	3 kg
Pick & place actions:	up to 200 p/min
Position repeatability:	+/- 0.1 mm
Classification:	IP69X

Options

No options

Rotation axis

No rotation

Accessory

- Calibration tool
- Vacuum pipe secondary arms
- Vacuum hoses
- Cable routing
- Vacuum pipe clamps



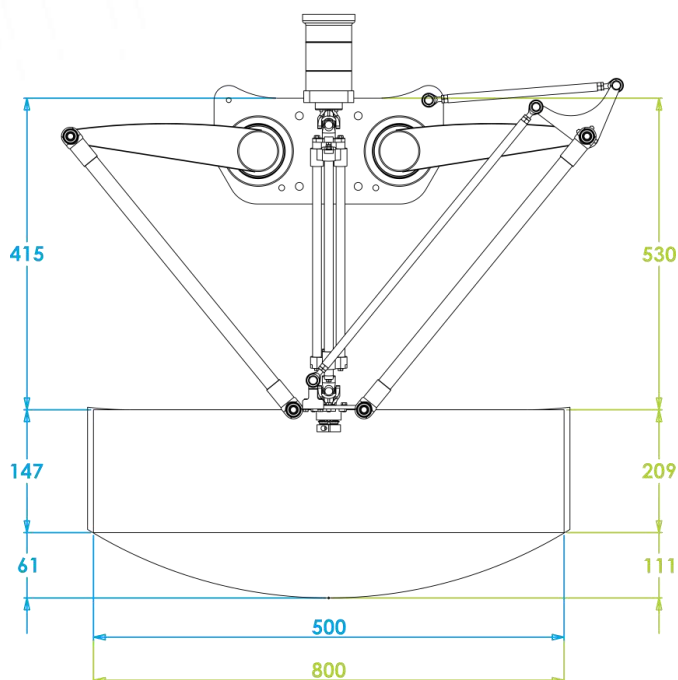
CODIAN
ROBOTICS

HYGIENIC DESIGN ROBOTS OPEN STRUCTURE

D2-500-OS070-RH095 and D2-800-OS070-RH095

415 = D2-500-OS070-RH095

530 = D2-800-OS070-RH095



Performance

Working range	500 x 208 mm
	800 x 320 mm
Noise level:	<68 dB (A)
Payload:	3 kg
Pick & place actions:	up to 200 p/min
Position repeatability:	+/- 0.1 mm
Classification:	IP69X

Options

No options

Rotation axis

RH095 (standard)	7Nm IP69K
------------------	-----------

Accessory

- Calibration tools
- Vacuum pipe secondary arms
- Vacuum hoses
- Cable routing
- Vacuum pipe clamps



CODIAN
ROBOTICS

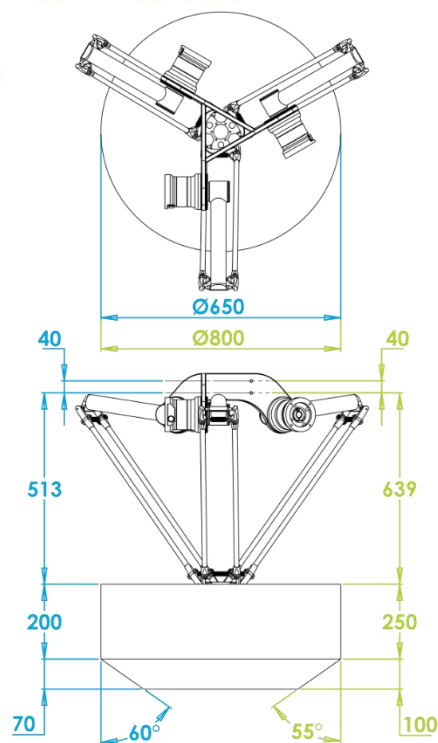
HYGIENIC DESIGN ROBOTS OPEN STRUCTURE

D4-650-OS070 and D4-800-OS070



513 = D4-650-OS070

639 = D4-800-OS070



Performance

Working range	$\text{Ø} 650 \times 270 \text{ mm}$ $\text{Ø} 800 \times 350 \text{ mm}$
Noise level:	<68 dB (A)
Payload:	3 kg
Pick & place actions:	up to 200 p/min
Position repeatability:	+/- 0.1 mm
Classification:	IP69X

Options

No options

Rotation axis

No rotation

Accessory

- Calibration tools
- Vacuum pipe secondary arms
- Vacuum hoses
- Cable routing
- Vacuum pipe clamps



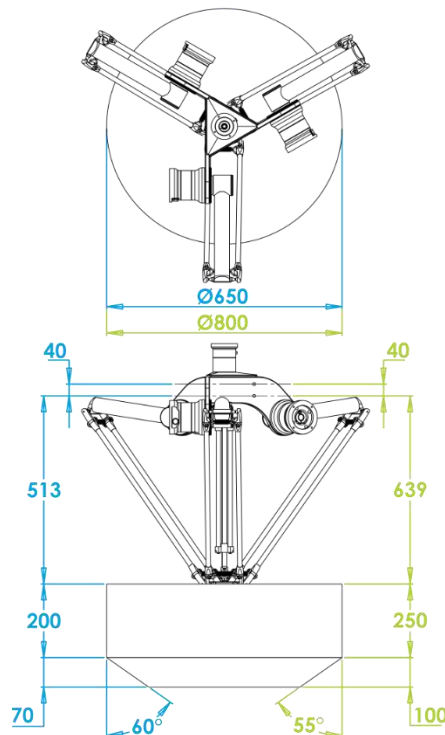
CODIAN
ROBOTICS

HYGIENIC DESIGN ROBOTS OPEN STRUCTURE

D4-650-OS070-RH095 and D4-800-OS070-RH095



513 = D4-650-OS070-RH095
639 = D4-800-OS070-RH095



Performance

Working range	Ø 650 x 270 mm Ø 800 x 350 mm
Noise level:	<68 dB (A)
Payload:	3 kg
Pick & place actions:	up to 200 p/min
Position repeatability:	+/- 0.1 mm
Classification	IP69X

Options

No options

Rotation axis

RH095 (standard)	7Nm IP69K
RH205	19Nm IP69K

Accessory

- Calibration tools
- Vacuum pipe secondary arms
- Vacuum hoses
- Cable routing
- Vacuum pipe clamps



CODIAN
ROBOTICS

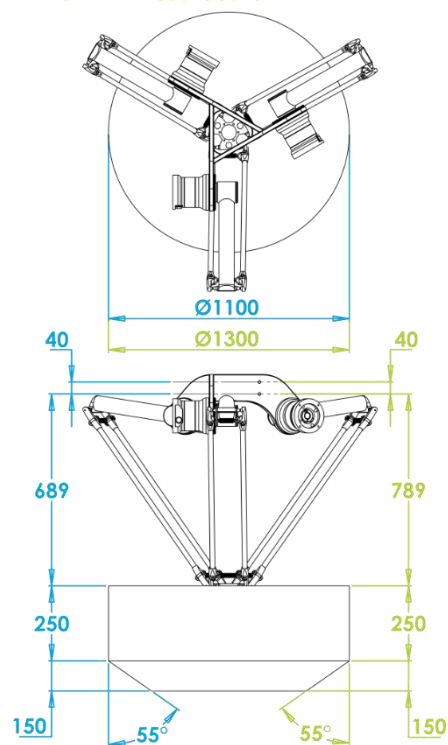
HYGIENIC DESIGN ROBOTS OPEN STRUCTURE

D4-1100-OS070 and D4-1300-OS070



689 = D4-1100-OS070

789 = D4-1300-OS070



Performance

Working range	Ø 1100 x 400 mm Ø 1300 x 400 mm
Noise level:	<68 dB (A)
Payload:	3 kg
Pick & place actions:	up to 150 p/min
Position repeatability:	+/- 0.1 mm
Classification:	IP69X

Options

No options

Rotation axis

No rotation

Accessory

- Calibration tools
- Vacuum pipe secondary arms
- Vacuum hoses
- Cable routing
- Vacuum pipe clamps



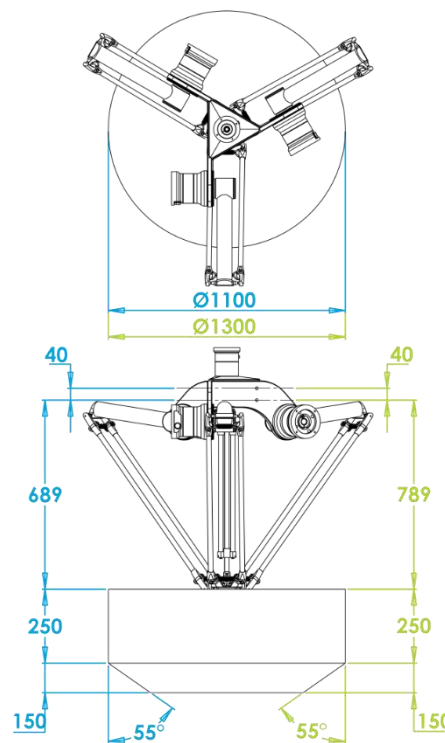
CODIAN
ROBOTICS

HYGIENIC DESIGN ROBOTS OPEN STRUCTURE

D4-1100-OS070-RH095 and D4-1300-OS070-RH095



689 = D4-1100-OS070-RH095
789 = D4-1300-OS070-RH095



Performance

Working range	Ø 1100 x 400 mm Ø 1300 x 400 mm
Noise level:	<68 dB (A)
Payload:	3 kg
Pick & place actions:	up to 150 p/min
Position repeatability:	+/- 0.1 mm
Classification:	IP69X

Options

No options

Rotation axis

RH095 (standard)	7Nm IP69K
RH205	19Nm IP69K

Accessory

- Calibration tools
- Vacuum pipe secondary arms
- Vacuum hoses
- Cable routing
- Vacuum pipe clamps



CODIAN
ROBOTICS

ROTATION AXES

R100



Performance

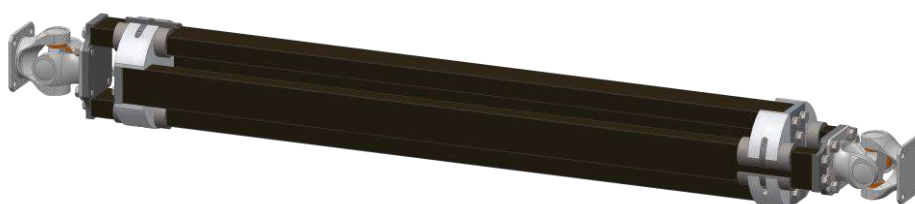
Maximum Torque 7 Nm

Classification IP65

Applicable for

- D2-500-S020 and D2-800-S020
- D4-500-S010 and D4-500-S010 Demo
- D4-650-S020 up to D4-1300-S020
- D5-650-S020 up to D5-1300-S020

R200



Performance

Maximum Torque 19 Nm

Classification IP65

Applicable for

- D4-650 up to 1600
- TD4-650 up to 1300



CODIAN
ROBOTICS

ROTATION AXES

R300



Performance

Maximum Torque 24 Nm

Classification IP65

Applicable for

- D4-1100-S040 up to D4-1600-S040
- D4-1300-S050 up to D4-2100-S050
- D5-1100-S040 up to D5-1600-S040
- D5-1300-S050 up to D5-1600-S050

R750



Performance

Maximum Torque 75 Nm

Classification IP65

Applicable for

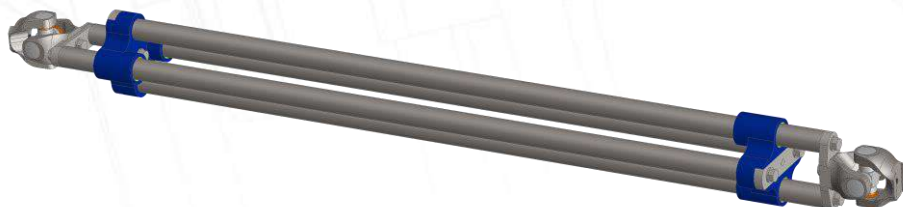
- D4-1300-S050 up to D4-2100-S050
- D5-1300-S050 up to D5-1600-S050



CODIAN
ROBOTICS

ROTATION AXES HYGIENIC DESIGN

RH090



Performance

Maximum Torque 7 Nm

Classification IP69K

Applicable for

- D2-500-S020LW and D2-800-S020LW
- D4-500-S010LW
- D4-650-S020LW up to D4-1300-S020LW
- D4-650-HD021 up to D4-1300-HD021
- D2-500-OS070 and D2-800-OS070
- D4-650-OS070 up to D4-1300-OS070

RH200



Performance

Maximum Torque 19 Nm

Classification IP69K

Applicable for

- D4-1100-S020LW up to D4-1300-S020LW
- D4-1100-HD041 up to D4-1300-HD041
- D4-650-OS070 up to D4-1300-OS070



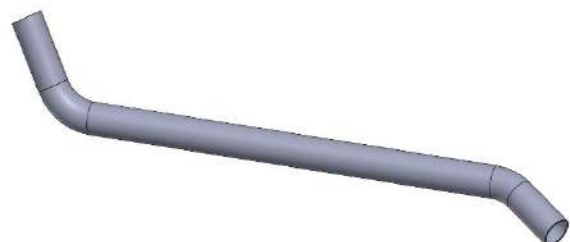
CODIAN
ROBOTICS

ACCESSORIES

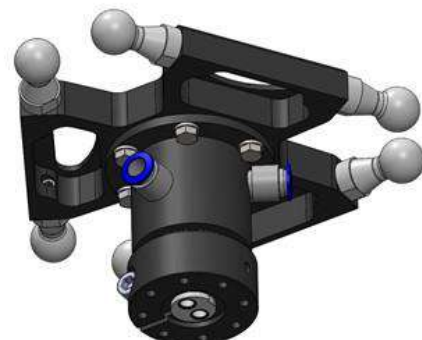
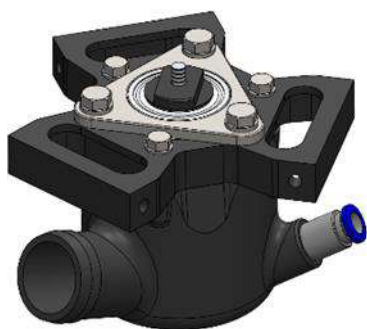
Calibration tool



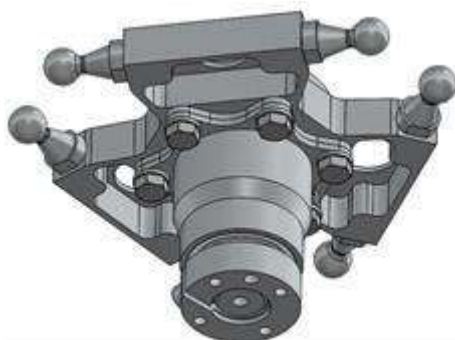
Cable Management

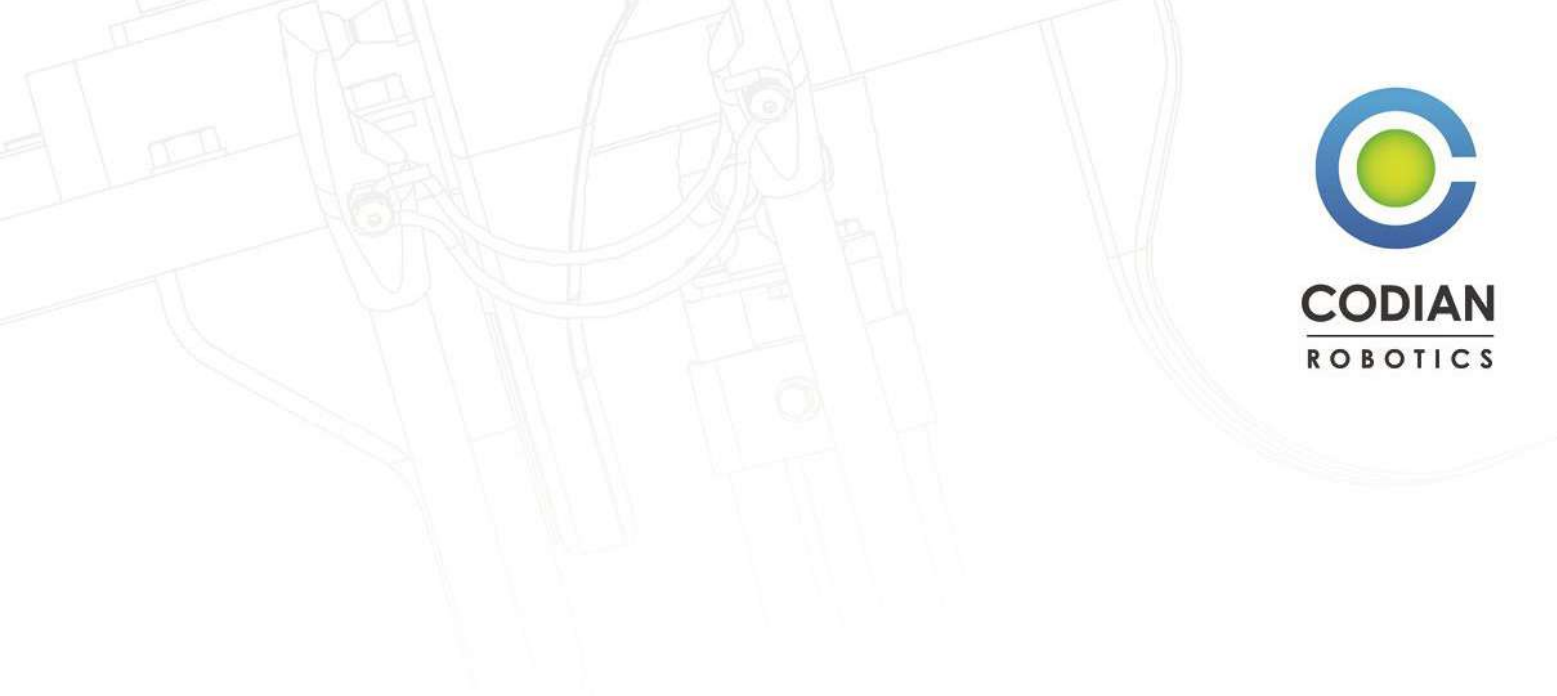


Vacuum solutions



Inertia Absorber





CODIAN
ROBOTICS



Disclaimer

Despite all efforts Codian Robotics does not guarantee that the information in this catalog is complete, accurate and always up-to-date. Codian Robotics at all times reserves the right to make changes or make additions to the information without prior notice.

By using this catalog this never results in a contractual obligation with Codian Robotics for the purpose of obtaining information, advice, or similar services. Codian Robotics disclaims all liability arising from the use of the robot, both personal and material damage.

Copyright: © 2019 – Codian Robotics BV. All rights reserved. The (partial) reproduction, processing, distribution and other uses are prohibited - in whatever form.

The brands and product names mentioned in this document are trademarks or registered trademarks of their respective holders.



CODIAN
ROBOTICS

Codian Robotics

Keplerlaan 24
6716 BS Ede
Netherlands

Phone +3185 0643 210
sales@codian-robotics.com

Codian Robotics of the Americas

Rives Junction, MI 49277
USA

Phone +1517 240 1329
sales@codian-robotics.com