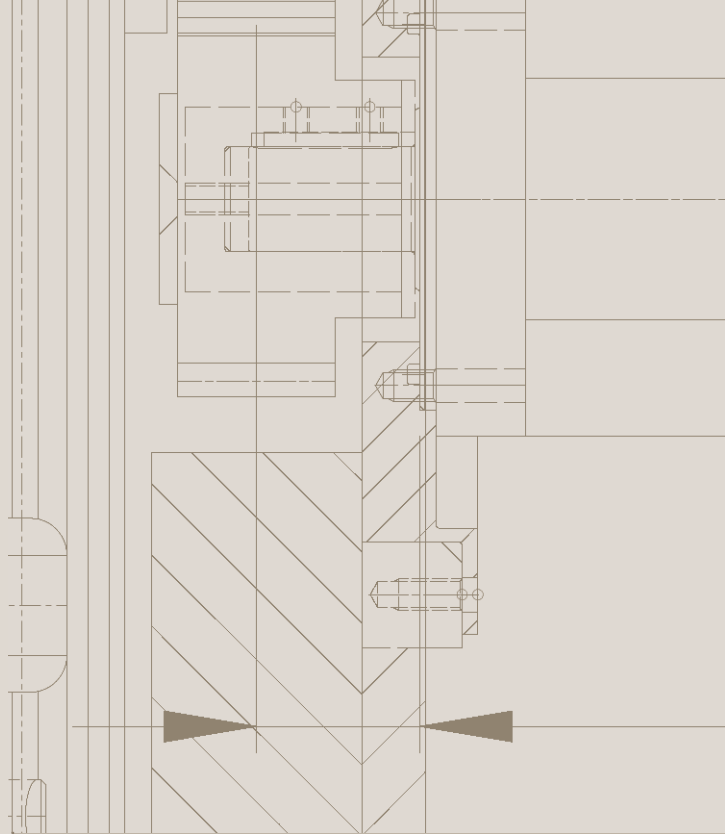


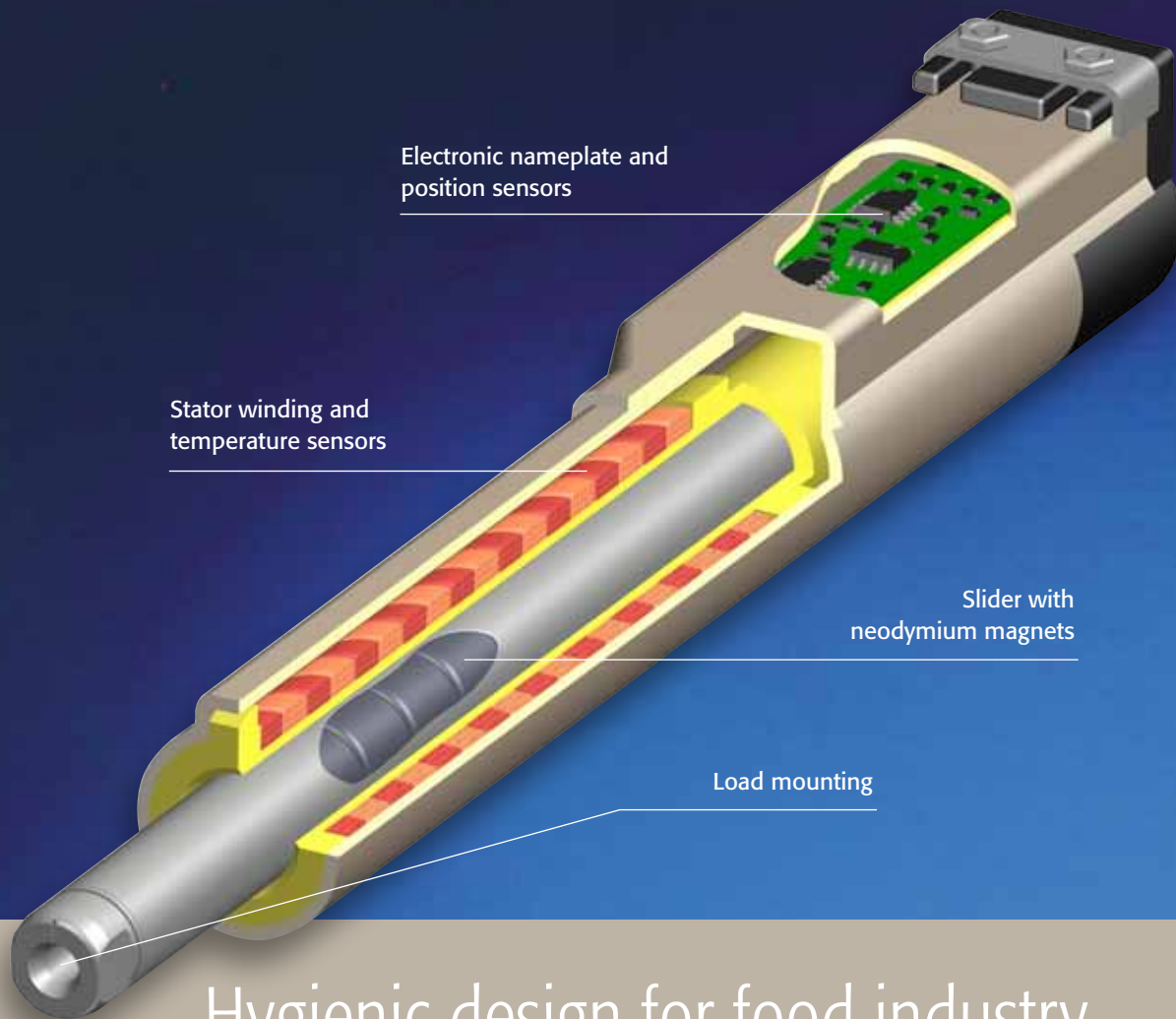
LinMot®



Linear Motors Stainless steel



DELTA ELEKTRONIK AS



Electronic nameplate and position sensors

Stator winding and temperature sensors

Slider with neodymium magnets

Load mounting

Hygienic design for food industry

LinMot linear motors are direct electromagnetic drives. The linear motion is generated without wear, with no intermediary mechanical gearboxes, spindles, or belts.

The motor is made up of just two parts: the slider and the stator. The slider is made of neodymium magnets, which are mounted in a high-precision stainless steel tube. The stator contains the motor windings, slider bearings, position sensors, temperature monitoring, and microprocessor circuitry with an integrated electronic nameplate.

- ▶ Purely electrical drive system
- ▶ Freely positionable along the entire stroke
- ▶ For precise and dynamic positioning tasks
- ▶ Linear motor technology provides longer life
- ▶ IP69K protection class and clean room certification

- ▶ Flexible
- ▶ Reliable
- ▶ Dynamic and Precise
- ▶ Replacement for Pneumatics
- ▶ Replacement for Servo Motors
- ▶ Replacement for Cam Disks





IP69K – Stainless steel EN1.4404/ AISI 316

LINMOT MEETS THE HIGHEST DEMANDS FOR HYGIENE DESIGN. NO MATTER WHICH MECHANICAL TRANSMISSION THE LINMOT STAINLESS STEEL MOTOR PROVIDES BETTER HYGIENIC AND EASIER CLEANING.

LinMot introduces a complete range of Linear Motors PS01-48x360F-SSC in a very Hygienic design. All motors are 100% completely sealed with a protection rating of IP69K. The housing is in Stainless Steel 1.4404/AISI 316. With the outstanding protection and hygienic design the LinMot products are designed for the most demanding applications in food, pharmaceutical and packaging machines.

The stator has a diameter of 60 mm and an over all length of 350 mm. It will be available with or without integrated water cooling. Max. stroke up to 860 mm and a peak forces up to 888N

- ▶ Max. 860 mm stroke and 888 N of force
- ▶ 100% Completely sealed – no condensation inside
- ▶ Protection IP 69K – Stainless Steel 1.4404/AISI 316
- ▶ Hygienic design for food industry



**HYGIENIC
DESIGN
FOR FOOD
INDUSTRY**

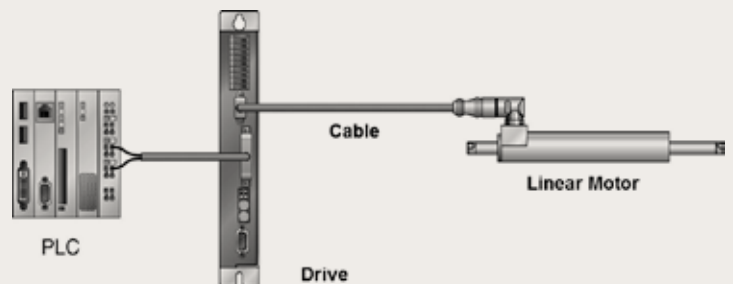


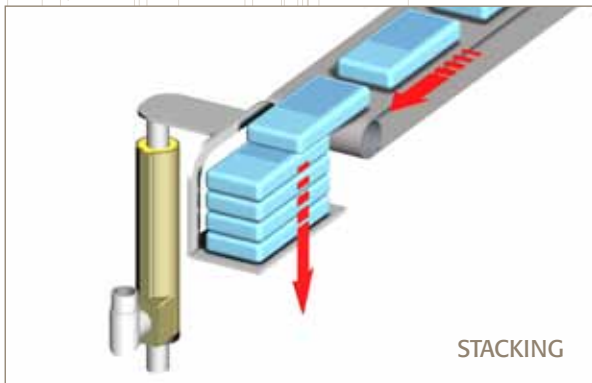
Servo Controllers and Software

The wide range of controller products allows rapid implementation of simple applications with two end positions, up to complex, high-precision multi-axis applications with synchronization to a main electronic shaft.

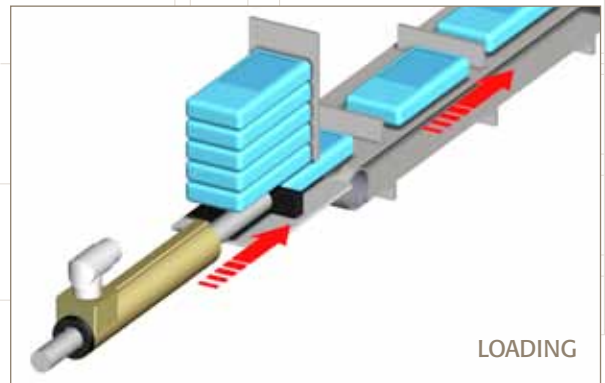
Connection to an overall control system can be made via analog, digital, or serial interfaces, fieldbuses, or ETHERNET. The wide variety of fieldbus interfaces and protocols ensure simple integration with a master PLC, industrial PC, or proprietary controller.

- ▶ Single and multi-axis controllers with integrated power stage
- ▶ Precise control of position, speed, acceleration, and force
- ▶ Execution of internally stored motion profiles or sequences
- ▶ Electronic cam disc for synchronization with a main drive
- ▶ Digital trigger inputs and analog target value inputs
- ▶ Serial communications, fieldbuses, and industrial ETHERNET

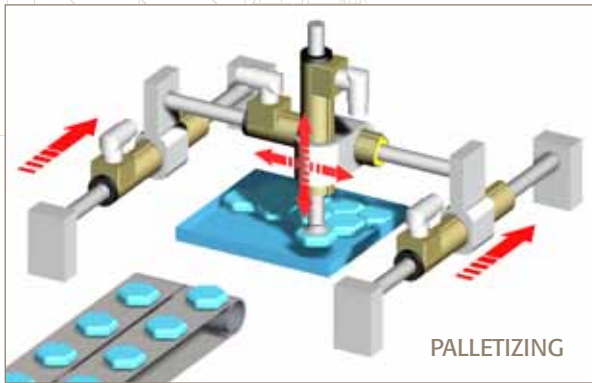




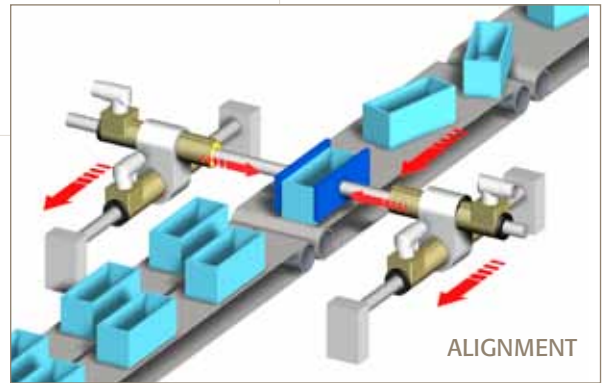
STACKING



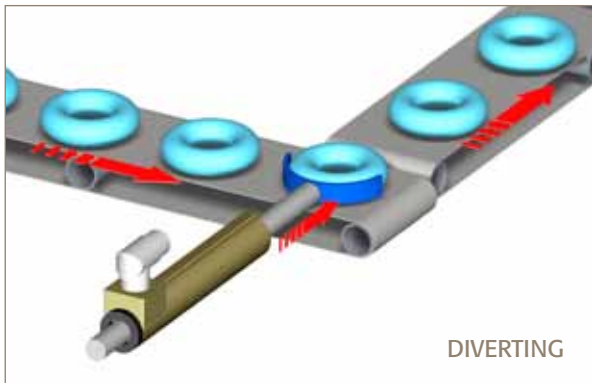
LOADING



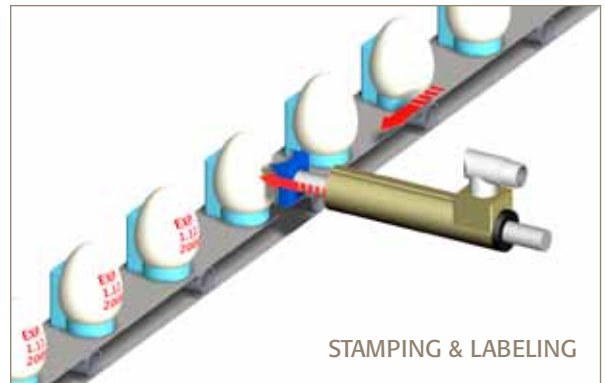
PALLETIZING



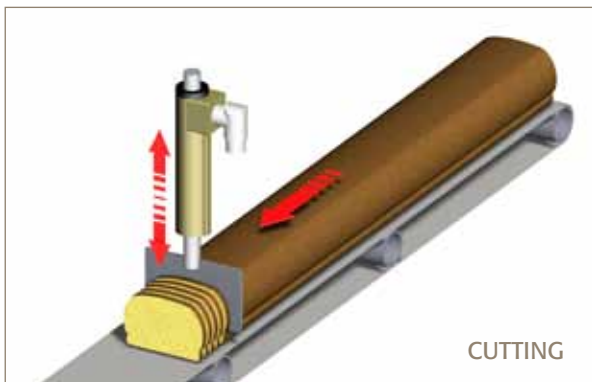
ALIGNMENT



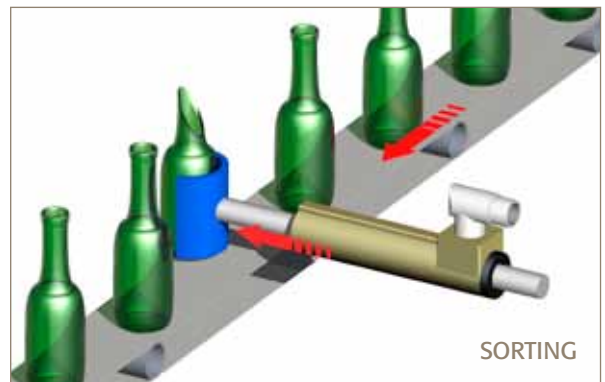
DIVERTING



STAMPING & LABELING



CUTTING



SORTING



DELTA ELEKTRONIK A/S

Delta Elektronik A/S

Husby Allé 17

2630 Taastrup

Telefon 43 71 80 88

Telefax 43 71 80 38

E-mail salg@deltaelektronik.dk

Website www.deltaelektronik.dk